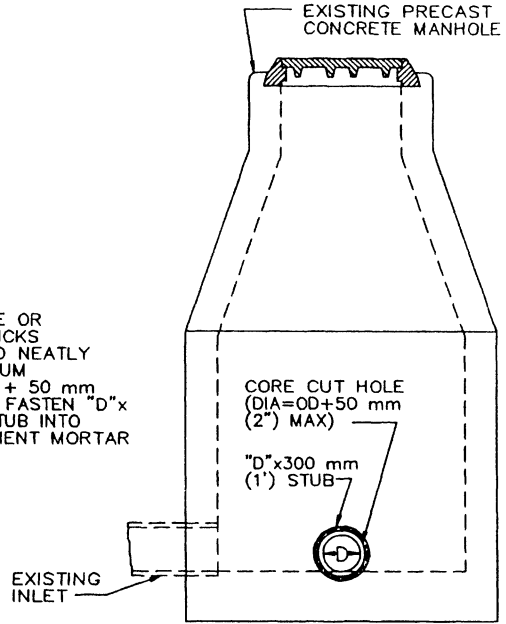


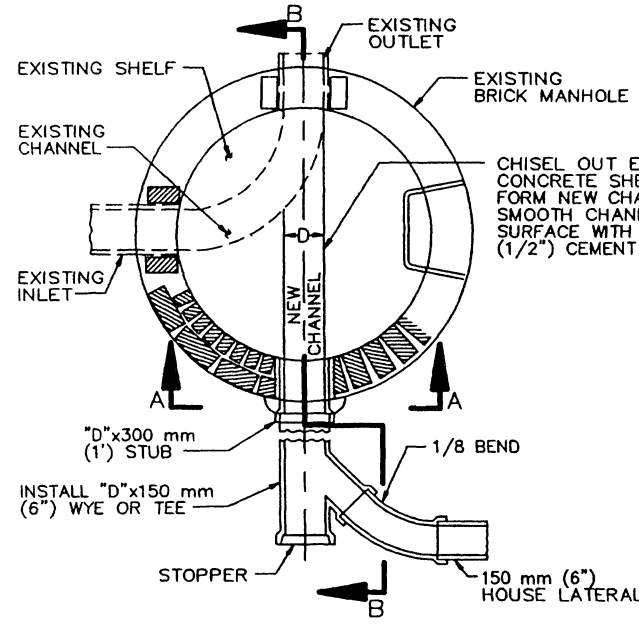
SECTIONAL ELEVATION A-A

CORE CUT HOLE OR  
BREAK OUT BRICKS  
CAREFULLY AND NEATLY  
TO FORM MINIMUM  
OPENING OF OD + 50 mm  
(2"). SECURELY FASTEN "D"x  
300 mm (1') STUB INTO  
HOLE WITH CEMENT MORTAR



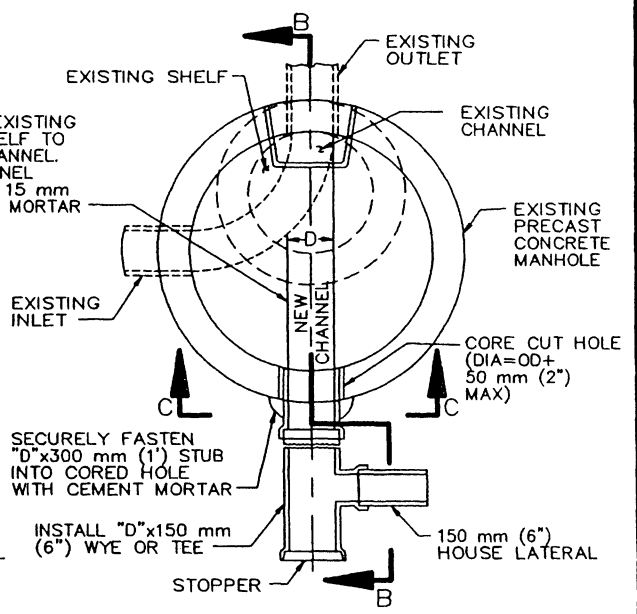
SECTIONAL ELEVATION C-C

CORE CUT HOLE  
(DIA=OD+50 mm  
(2") MAX)



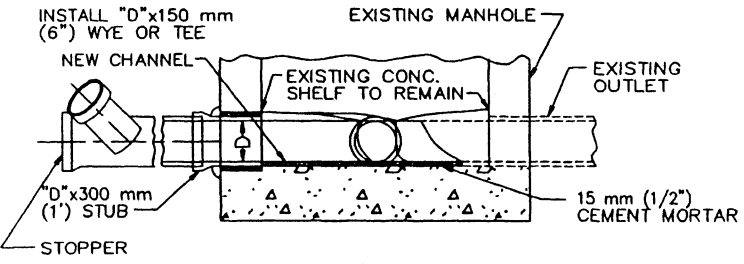
SECTIONAL PLAN OF BASE

CHISEL OUT EXISTING  
CONCRETE SHELF TO  
FORM NEW CHANNEL.  
SMOOTH CHANNEL  
SURFACE WITH 15 mm  
(1/2") CEMENT MORTAR



SECTIONAL PLAN OF BASE

SECURELY FASTEN  
"D"x300 mm (1') STUB  
INTO CORED HOLE  
WITH CEMENT MORTAR



SECTIONAL ELEVATION B-B  
CHANNEL BASE

|   |   |   |
|---|---|---|
| STANDARD PLANS FOR PUBLIC WORKS CONSTRUCTION  |   |   |
| PROMULGATED BY THE<br>PUBLIC WORKS STANDARDS, INC.,<br>GREENBOOK COMMITTEE<br>1984<br>REV. 1996 | <h2 style="margin: 0;">BREAKING INTO EXISTING MANHOLES</h2> | STANDARD PLAN<br>METRIC<br><b>208-1</b> |
| USE WITH STANDARD SPECIFICATIONS FOR PUBLIC WORKS CONSTRUCTION                                  |   | SHEET 1 OF 2                            |

NOTES:

1. INVERT ELEVATION OF "D" x 300 mm (1') STUB AT THE INSIDE FACE OF MANHOLE TO BE 30 mm (0.10') HIGHER THAN EXISTING OUTLET INVERT ELEVATION.
2. THE CORE CUT HOLE SHALL BE MADE WITH EQUIPMENT SPECIALLY DESIGNED TO CUT A SMOOTH HOLE WITHOUT SPALLING OR DAMAGE TO THE REINFORCING STEEL OR STRUCTURE.
3. "D" TO BE 200 mm (8") MINIMUM.
4. ALL WORK SHALL BE UNCOVERED AND CONVENIENT FOR THE INSPECTION.
5. ALL CEMENT MORTAR SHALL BE CLASS "D" PER SSPWC 201-5.1.

HOUSE LATERAL NOTES:

1. WYE SHALL BE LAID WITH 3 mm (1/8") RISE PER 300 mm (1") AND 150 mm (6") SPUR AT 45° FROM HORIZONTAL UNLESS OTHERWISE NOTED ON PLANS.
2. "D" X 100 mm (4") WYE OR TEE AND 100 mm (4") HOUSE LATERAL MAY BE SUBSTITUTED FOR "D" x 150 mm (6") WYE OR TEE AND 150 mm (6") HOUSE LATERAL.
3. USE TYPE "D" OR "G" JOINTS PER SSPWC 208-2.

STANDARD PLANS FOR PUBLIC WORKS CONSTRUCTION

**BREAKING INTO EXISTING MANHOLES**

STANDARD PLAN  
METRIC

**208-1**

SHEET 2 OF 2