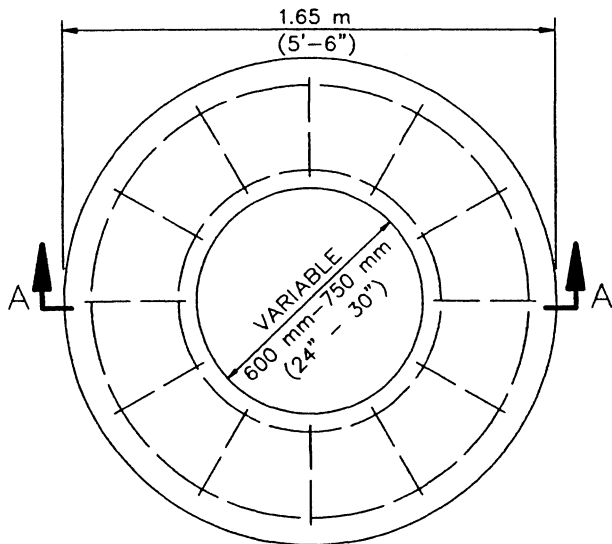
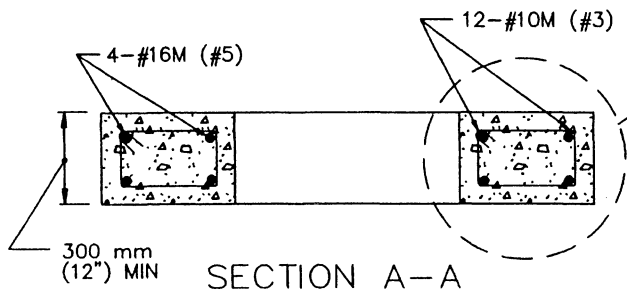


BRICK MANHOLE SHAFT

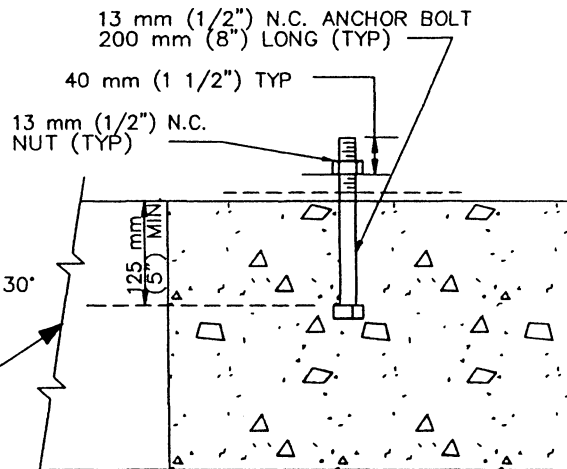
PRECAST CONCRETE CONE



PLAN



SECTION A-A



DETAIL B

STANDARD PLANS FOR PUBLIC WORKS CONSTRUCTION

PROMULGATED BY THE
PUBLIC WORKS STANDARDS, INC.,
GREENBOOK COMMITTEE
1984
REV. 1996

**ANCHOR SYSTEM FOR
PRESSURE COVER**

STANDARD PLAN
METRIC
212-1

USE WITH STANDARD SPECIFICATIONS FOR PUBLIC WORKS CONSTRUCTION

SHEET 1 OF 2

NOTES:

1. ANCHOR SYSTEM DESIGNED FOR LESS THAN 3 m (10') OF HEAD.
2. MINIMUM EMBEDMENT OF 13 mm (1/2") ϕ ANCHOR BOLT WITH HEAD SHALL BE 130 mm (5")
3. SET CONCRETE ANCHOR ON WET, CLASS "B" MORTAR ON TOP OF BRICK MANHOLE SHAFT OR PRECAST CONCRETE CONE.
4. UNLESS OTHERWISE NOTED, 13 mm (1/2") ϕ ANCHOR BOLTS AND NUTS ARE REQUIRED AND SHALL BE FABRICATED FROM ANY SERIES 300 STAINLESS STEEL.
5. NUTS ON ANCHOR BOLTS SHALL BE TIGHTENED TO A MINIMUM TORQUE OF 34 Nm (25 FOOT-POUNDS)

STANDARD PLANS FOR PUBLIC WORKS CONSTRUCTION

**ANCHOR SYSTEM FOR
PRESSURE COVER**

STANDARD PLAN
METRIC

212-1

SHEET 2 OF 2