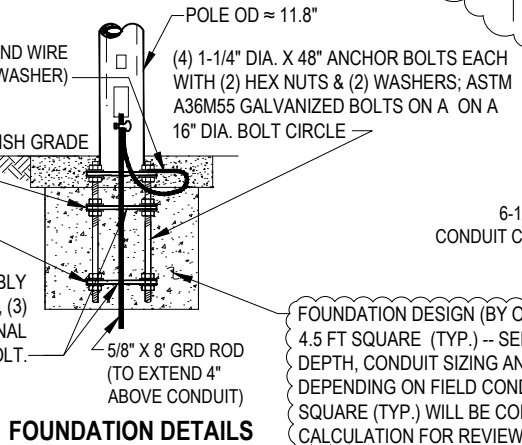
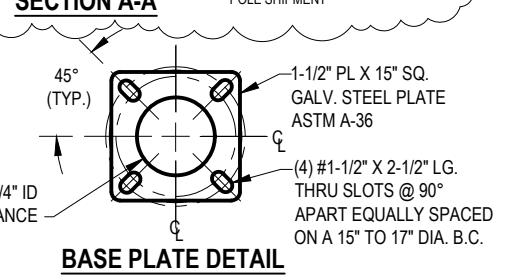
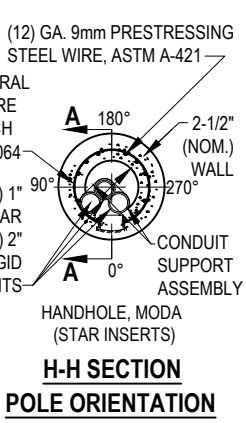
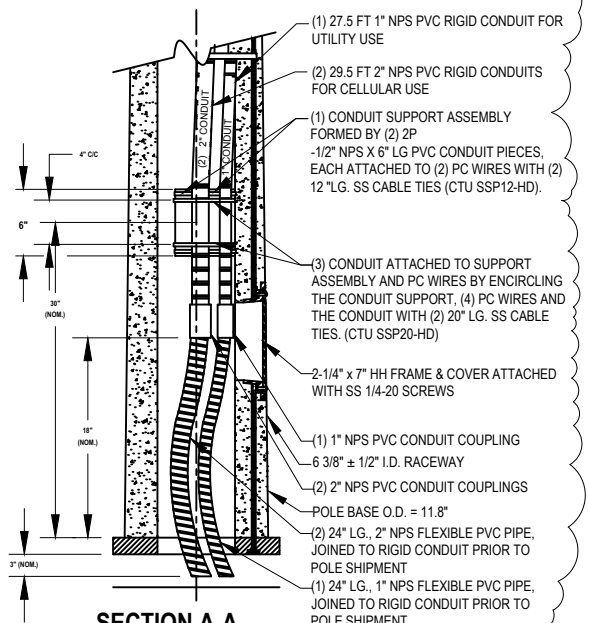
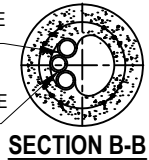
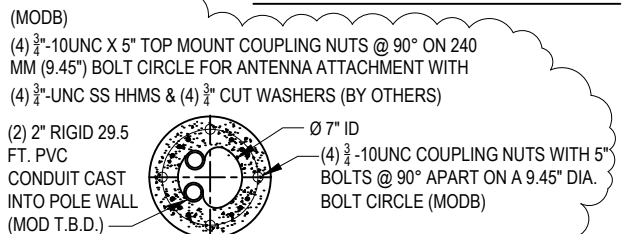
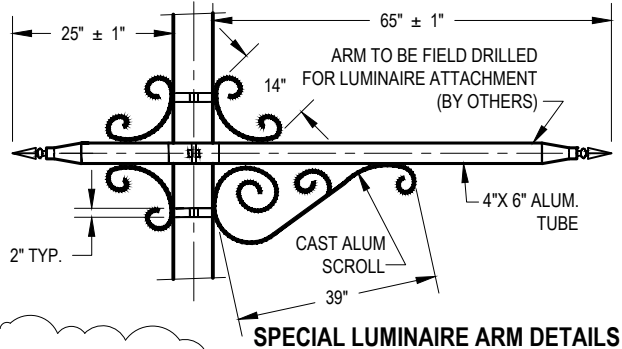
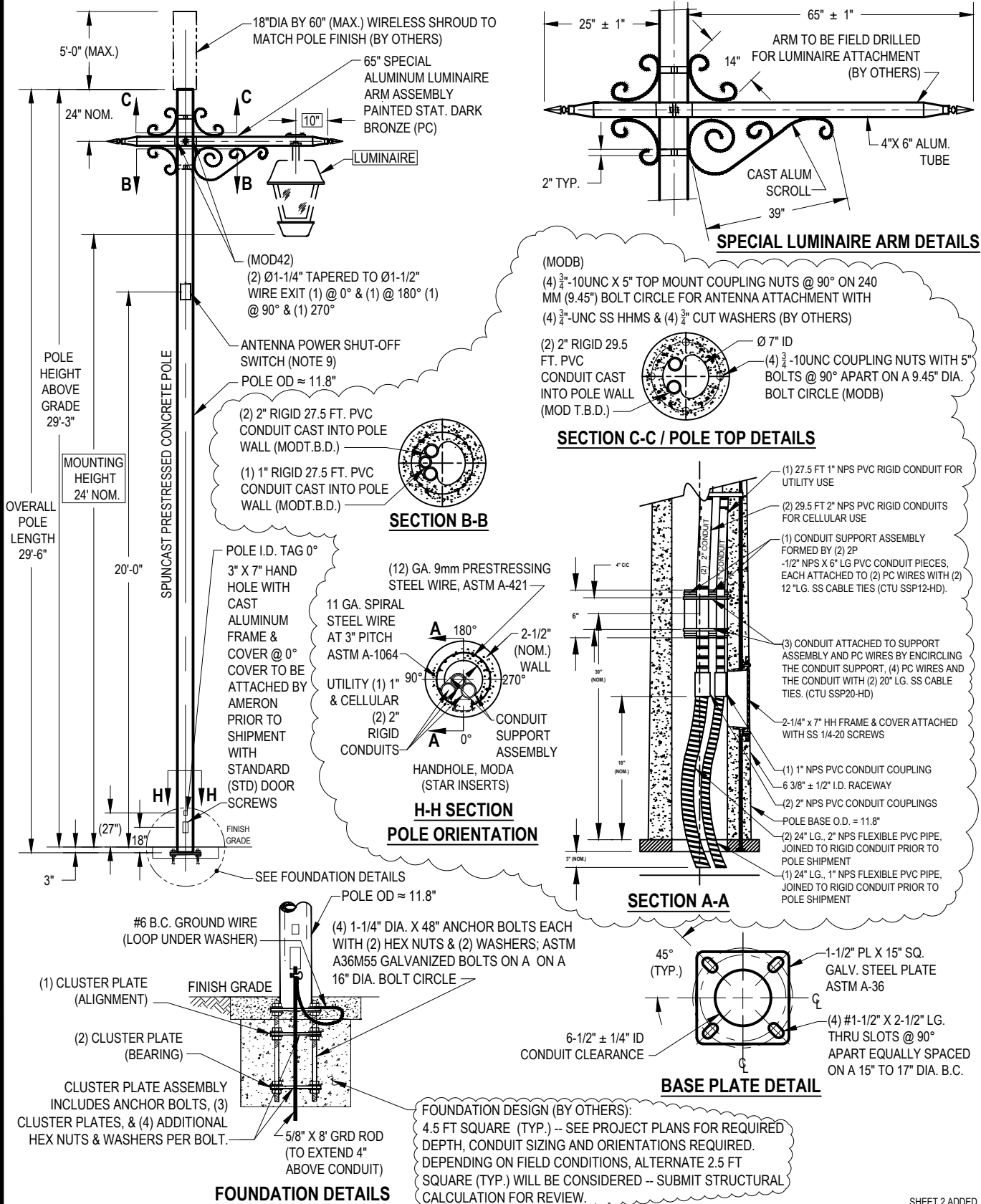


SCOPE: THIS STANDARD SHOWS CONSTRUCTION AND DETAILS OF CITY OF ANAHEIM STREET LIGHT DESIGN #763 FOR INSTALLATION OF CELL SITE ON TOP OF THE STREET LIGHT POLE IN ANAHEIM HILLS AREA



FILENAME: L 144 REV2

SHEET 2 OF 2

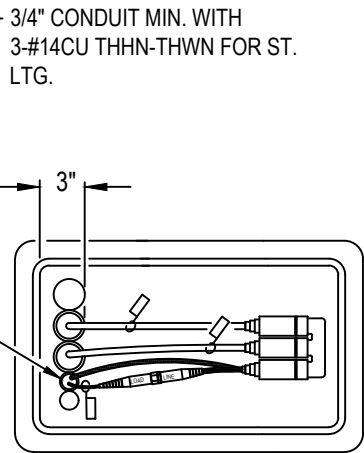
CITY OF ANAHEIM PUBLIC UTILITIES DEPARTMENT ELECTRICAL DIVISION T&D CONSTRUCTION STANDARDS				
APPROVALS				
STD ENG	T&D MGR	SYS PLN MGR	OPS MGR	SUB MAINT
RY	EB	N/A	DA	N/A

REVISION KEYS:	ADDED / REVISED TEXT	ADDED / REVISED MATERIAL
----------------	----------------------	--------------------------

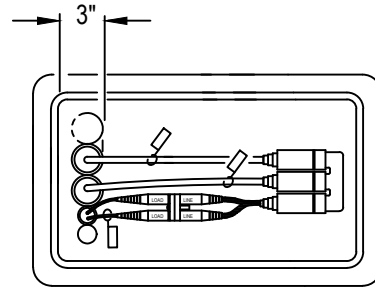
CITY OF ANAHEIM
STREET LIGHT DESIGN #763
CELL SITE TOP

NEW SHEET	NEW SHEET
REVISION NO. 2	ISSUE DATE: 05-18
SHEET 1 OF 3	CONSTRUCTION STANDARD:
L 144	

FILENAME: L 144 REV2

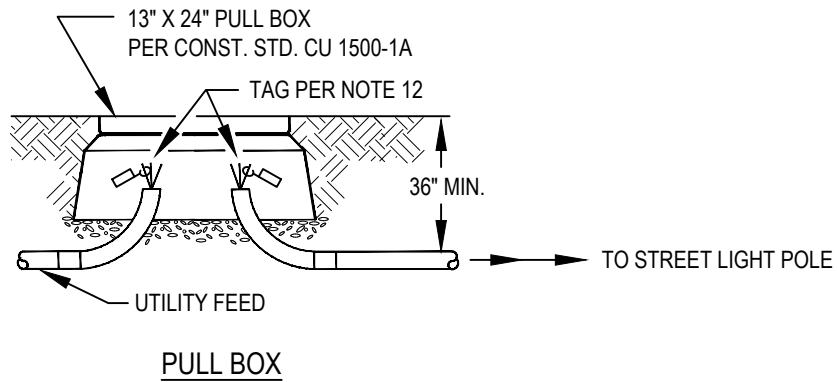


120V, SERVICE
NOTE 12



240V, SERVICE
SEE NOTE 12 & NOTE 13

PADMOUNT TRANSFORMER (PMT)
OR SUBSURFACE TRANSFORMER (BURD)



SHEET 2 ADDED

CITY OF ANAHEIM PUBLIC UTILITIES DEPARTMENT ELECTRICAL DIVISION T&D CONSTRUCTION STANDARDS				
APPROVALS				
STD ENG	T&D MGR	SYS PLN MGR	OPS MGR	SUB MAINT
RY	EB	N/A	DA	N/A

REVISION KEYS:	ADDED / REVISED TEXT	ADDED / REVISED MATERIAL
----------------	----------------------	--------------------------

CITY OF ANAHEIM
STREET LIGHT DESIGN #763
CELL SITE TOP

NEW SHEET	NEW SHEET
REVISION NO. 2	
ISSUE DATE: 05-18	
SHEET 2 OF 3	
CONSTRUCTION STANDARD:	
L 144	

NOTES:

1. POLE CONCRETE SHALL BE 6000 PSI COMPRESSION MINIMUM IN 28 DAYS, MANUFACTURED TO ASTM C 1089-88.
2. THE POLE SHALL BE BUFF LONEPINE YELLOW AND ENTIRELY COATED WITH AMERISHIELD ANTI-GRAFFITTI SEALANT.
3. FINISH TO MATCH ANAHEIM DESIGN 738 FINISH.
4. FOR COMPLETE POLE UNIT ONLY (WITHOUT THE LUMINAIRE AND ARMS), ORDER "AMERON" PART NUMBER BP300X09.
5. FOR COMPLETE LUMINAIRE UNIT WITH SET SCREWS TO ATTACH TO THE ARM , SEE CONSTRUCTION STANDARD L-123. FOR ARM ORDER ANAHEIM STOCK CODE E464010M (EXCEPT FOR CLAMP, MATCH POLE DIAMETER @ LOCATION).
6. WIRING TO LUMINAIRE SHALL BE #14 COPPER WIRES WITH XHHW-2 INSULATION (BLACK-PHASE, WHITE-NEUTRAL, GREEN-GROUND).
7. THE POLE MANUFACTURER IS "AMERON", VENDORS TO ORDER INCLUDE HD-SUPPLY, WESCO LIGHTING, PACIFIC LIGHT CORPORATION, AND ONE SOURCE.
8. THE POLE DEPICTED IS DESIGNED TO WITHSTAND THE LOADS IMPARTED BY A CYLINDRICAL 18" DIA. X 60" TALL ANTENNA SHROUD, THE TOP MOUNT LMA AND THE LUMINAIRE PER THE 2010 CALIFORNIA BUILDING CODE, ASCE 7-05 & 2013 AASHTO LTS-6 IN A 103 MPH WIND ZONE (3-SECOND GUSTS). POLE CHECKED AGAINST LOCATION SPECIFIC SEISMIC CRITERIA, PLEASE ADVISE MFR. IF INTENDED LOADING EXCEEDS THESE VALUES.
9. ANTENNA POWER SHUT OFF SWITCH, FURNISHED AND INSTALLED BY WIRELESS COMPANY.
10. FOOTING (FOUNDATION) CONCRETE MIX SHALL BE 560-C-3250.
11. DESIGNER SHALL USE APPROPRIATE PHOTOMETRIC SOFTWARE TO CONFIRM IES GUIDELINES ARE FOLLOWED PRIOR TO STREETLIGHT INSTALLATION.

ITEM	QTY	DESCRIPTION	ANAHEIM PART NO.	COMPATIBLE UNIT
1	-	POLE, WITH ANCHOR BOLTS, AND ARM	476035	SLDES738
2	1	MAST ARM- SINGLE	464010	-
3	1	LUMINAIRE	SEE CONSTRUCTION STANDARD L123	

FILENAME: L 144 REV2

SHEET 2 ADDED

CITY OF ANAHEIM PUBLIC UTILITIES DEPARTMENT ELECTRICAL DIVISION T&D CONSTRUCTION STANDARDS		REVISION KEYS:	ADDED / REVISED TEXT	ADDED / REVISED MATERIAL	NEW SHEET	NEW SHEET
		CITY OF ANAHEIM STREET LIGHT DESIGN #763 CELL SITE TOP				REVISION NO. 2
APPROVALS				SHEET 3 OF 3		CONSTRUCTION STANDARD:
STD ENG	T&D MGR	SYS PLN MGR	OPS MGR	SUB MAINT	L 144	
RY	EB	N/A	DA	N/A		