

ANAHEIM



BUILDING DIVISION

WATER HEATER REPLACEMENT OR RELOCATION

This Information Bulletin provides a general overview of the permit and inspection process for your convenience. Please keep in mind that these are general guidelines and that additional requirements may apply. If you have any specific questions regarding your project, please contact the Building Division at 714-765-5153.

Permit Issuance

To obtain a permit through the City of Anaheim, follow the steps outlined below, beginning at the Planning Department located on the 1st Floor of City Hall, 200 S. Anaheim Boulevard. A building permit may be obtained by the property owner, licensed contractor or an employee of either one with current worker's compensation insurance. Please note that the property owner of a single family residence may obtain a permit without requiring worker's compensation insurance. Upon arrival at the Planning Department lobby, please proceed to Counter 1 to obtain a ticket. Planning Department counter staff will call you up based on your arrival time.

Planning & Zoning Approval

- Planning & Zoning approval is required for new or relocated water heaters when placed outside of your building.
- Provide two copies of an 8.5" x 11" site plan indicating the location of the new or relocated water heater. We recommend you use our sample site plan available at the Building Division counter and online at www.anaheim.net/building.

Building Division Plan Check Approval

- Building Division plan check approval is required for new or relocated water heaters.
- In order to receive an over the counter plan check review, please provide a gas pipe isometric drawing for approval per our gas pipe isometric sample available at the Building Division counter and online at www.anaheim.net/building. A copy is also attached for your convenience.

Permit Issuance

- In order to obtain a permit, you must complete a Plumbing Permit Application available at the Building Division counter and online at www.anaheim.net/building.
- There are additional state requirements for homeowners applying for permits. Please contact us at 714-765-5153 to learn about these requirements.

Helpful Tips –

- If you plan to hire a Contractor to do the work, we recommend that you contact the Contractor State License Board for valuable information at (800) 321-CSLB (2752) or www.cslb.ca.gov.
- As you design your project, we encourage you to think green and reduce your carbon footprint by utilizing renewable energy or planning energy efficient improvements. To learn

about rebates or incentives offered through Anaheim Public Utilities, please contact the Home Incentives Program at 714-939-9020.

- Accepted Forms of Payment: The Building Division counter accepts ATM cards, checks, and Visa and MasterCard for amounts up to \$2,000.
- For forms, fees and additional information on your home improvement project please go to www.anaheim.net/building.

Inspection Process

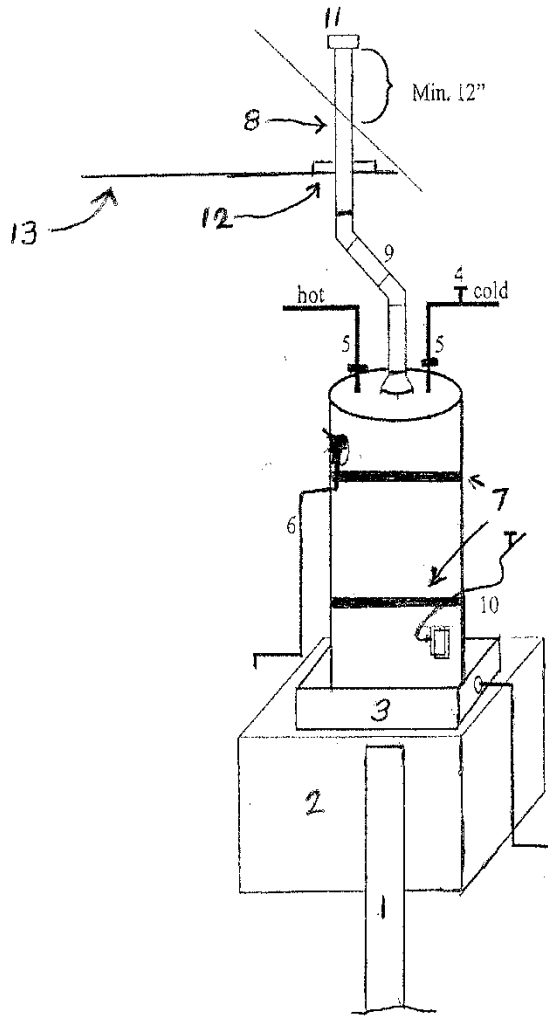
Inspections are necessary to ensure that your project is constructed in conformance to the approved plans and specifications, building codes, zoning regulations, and other Federal, State, and City requirements. A Building Inspector will visit your project and confirm the proper use of materials and construction methods. To request an inspection, call the inspection request line at (714) 765-4626. The automated system will prompt you to key in your Building Permit number and code number for the type of inspection you are requesting. Instructions on using the inspection request line can be found on the job card. Inspection requests made before 5:00 p.m. will be scheduled for the following work day.

□ Final Inspection

- Generally, water heaters only require a “Final Inspection.” If no one is home and the water heater is located in the backyard, please leave a note on the front door indicating that pets have been secured and permission to enter through a gate has been granted. A safe ladder must be provided when a water heater or a portion of the venting system is installed in attics. Please provide the water heater manufacturer’s installation instructions for the inspector to review.
- Installation of new gas pipe more than 6 feet in length requires a final gas test. For this test, you must use a 1/10 pound increment and 20 pound maximum gauge filled with 10 pounds of air pressure for a minimum of 10 minutes. The new gas pipe must be under pressure with the test gauge in place when the inspector arrives on the jobsite.
- The inspection job card must be available to the inspector for final approval. When the permit is finalized, we recommend that you retain the signed inspection job card for your records. (To request an inspection, please call the inspection request line. The code for this inspection is 299-Final Plumbing.)

Helpful Tips –

- For inspection requests, have your building permit number available when calling the inspection request line. The day before you are ready for inspection, call (714) 765-4626 and listen to the automated system instructions.
- On the day of your inspection, between 7:30 a.m. and 8:00 a.m., you may call (714) 765-5153, press “0” and request to speak to your inspector in order to coordinate a timeframe for your inspection.
- See attached water heater sketch for general requirements.



1. Protective post (vehicle protection)
2. Platform: Gas pilot and element to be a Minimum of 18" above the garage floor
3. Pan (Watertight of corrosion-resistant material with a ¼" drain to an approved location)
4. Fullway water shutoff valve
5. Unions or water flex connectors
6. Temperature & Pressure relief valve with a ¾" minimum drain to an approved location
7. Earthquake straps (upper & lower 1/3 and 4" minimum above the controls)
8. Vent (B vent)
9. Vent connector
10. Gas shutoff valve with piping or gas connector
11. Vent termination
12. B Bucket
13. Drywall

Notes:

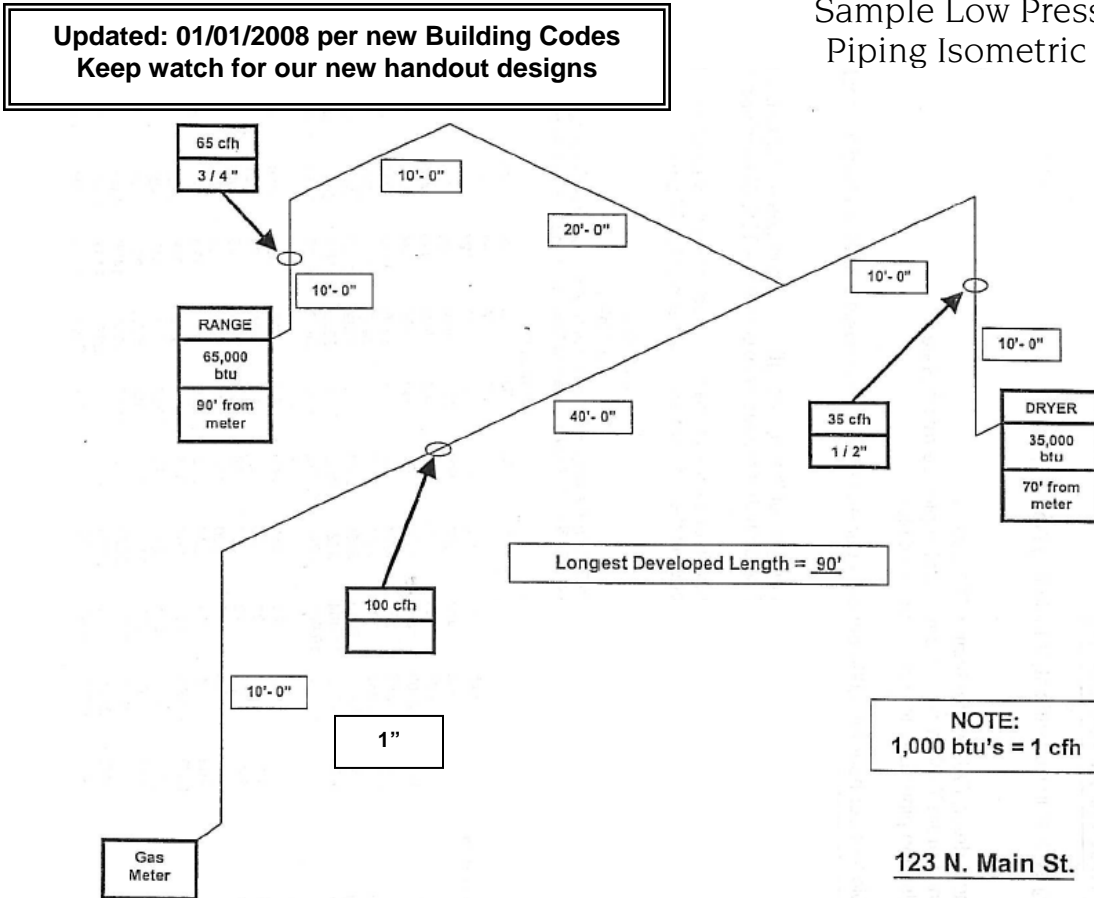
- Insulate first five feet of hot and cold water lines (R-4 insulation)
- T&P to terminate 6"-24" above grade or an approved location
- Screws/anchors at draft hood and vent connector joints
- 1" minimum clearance at the B vent and combustibles
- 6" minimum clearance to the vent connector and combustibles

*For additional questions, you may contact your inspector by calling
(714) 765-5153, between 7:00-8:00 am and 3:30-4:30 pm*

*Note: Information provided is to used as a guideline for specific information or questions
contact the Building Division*

GUIDE ON SELECTING GAS PIPE SIZE

Sample Low Pressure Gas Piping Isometric Drawing



1217.07 Required Gas Piping Size.

1217.1 Where the maximum demand does not exceed two hundred fifty (250) cubic feet per hour (2 L/sec.) and the maximum length of piping between the meter and the most distant outlet is not over two hundred fifty (250) feet (76,200 mm), the size of each section and each outlet of any system of gas piping shall be determined by means of Table 12-7 for steel pipe, or Table 12-15 for copper tubing systems, or Table 12-19 for CSST systems. Other Systems within the range of Table 12-7 or 12-15 or Table 12-19 may be sized from that table or by means of the methods set forth in Section 1217.3.

1217.2 To determine the size of each section of pipe in any system within the range of Table 12-7, proceed as follows:

- 1) Measure the length of the pipe from the gas meter location to the most remote outlet on the system.
- 2) In Table 12-7 select the length in feet column and row showing that distance, or the next longer distance if the table does not give the exact length.
- 3) Starting at the most remote outlet, find in the row just selected the gas demand for that outlet. If the exact figure of demand is not shown, choose the next larger figure in the row.
- 4) At the top of this column will be found the correct size of the pipe.
- 5) Using the same row, proceed in a similar manner for each section of pipe serving this outlet. For each section of pipe, determine the total gas demand supplied by that section. Where gas piping sections serve both heating and cooling equipment and the installation prevents both units from operating simultaneously, only the larger of the two demand loads needs be used in sizing these sections.
- 6) Size each section of branch piping not previously sized by measuring the distance from the gas meter location to the most remote outlet in that branch and follow the procedures of steps 2, 3, 4, and 5 above.

Note: Size branch piping in the order of their distance from the meter location, beginning with the most distant outlet not previously sized.