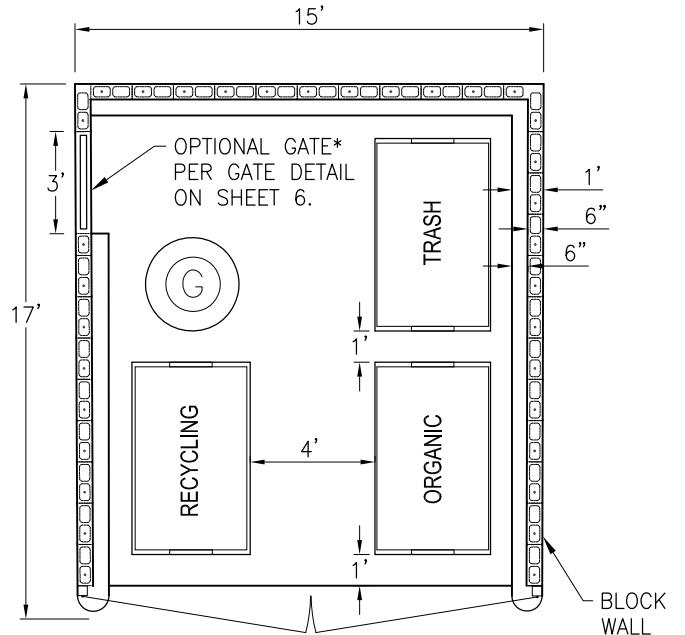


OPTION A
(NTS)



OPTION B
(NTS)

* IF A SIDE GATE IS ADDED, THEN A 36" CLEARANCE MUST BE MAINTAINED FROM BINS. CURB SHALL BE REMOVED AT GATE OPENING.

COMMODITY	NORMAL CONTAINER SIZE
GREASE (G)	36" DIAMETER
ORGANIC	64 GALLON CART
ORGANIC	2-YARD BIN
TRASH	3-YARD BIN
RECYCLING	3-YARD BIN

NOTES:

- ENCLOSURES MUST BE CAPABLE OF STORING A MINIMUM OF THREE (3) CONTAINER BINS.
- LOCATION, SIZE AND NUMBER OF ENCLOSURES WILL BE APPROVED BY PUBLIC WORKS PRIOR TO ISSUANCE OF BUILDING PERMIT. TYPICAL DIMENSIONS FOR A 3-YARD BIN: 44 1/2" X 74".
- CONTAINER ENCLOSURES TO BE LOCATED CLEAR OF STRUCTURES WHERE POSSIBLE, ACCESSIBLE TO BOTH DEPOSIT AND PICK UP.
- SLAB TO MEET FINISHED GRADE. IF SLAB DOES NOT MEET FINISHED GRADE, PROVIDE RAMP SLOPED AT 1/2 INCH PER FOOT, MAXIMUM; 6" CONCRETE SLAB MINIMUM.
- ALL HARDWARE TO BE CORROSION RESISTANT.
- FOR INFORMATION, PLEASE CALL 714-765-6802, PUBLIC WORKS OPERATIONS AND MAINTENANCE.

SOLID WASTE CONTAINER ENCLOSURE



REVISIONS			
No.	DATE	No.	DATE

[Signature]
CITY ENGINEER

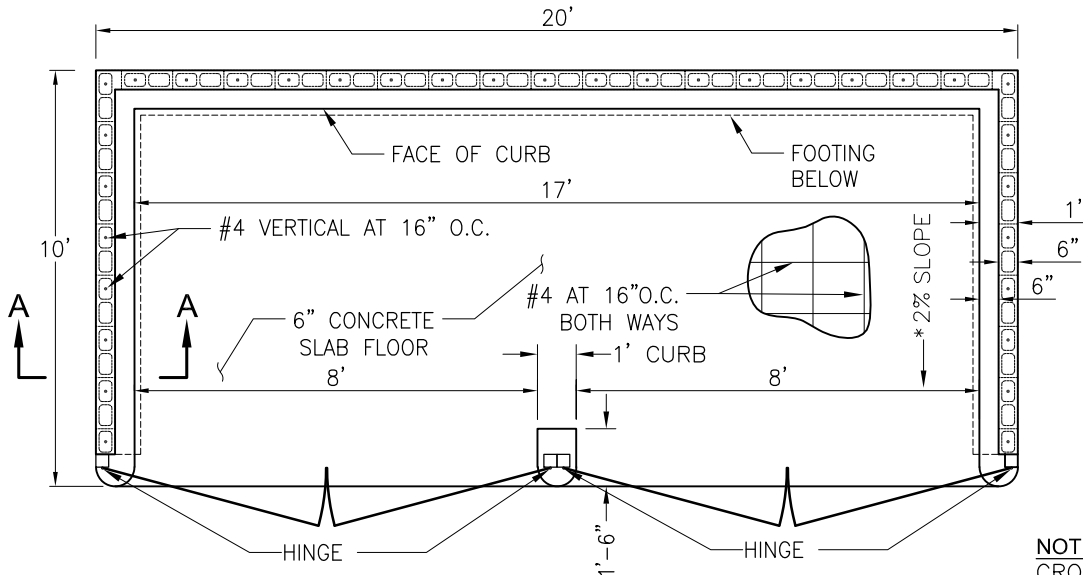
05/05/22
DATE

[Signature]
DIRECTOR OF PUBLIC WORKS

05/05/22
DATE

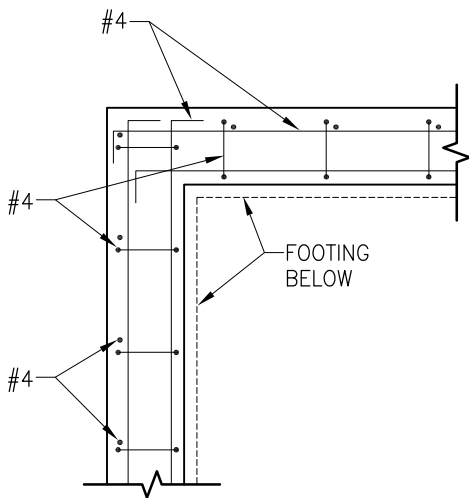
STANDARD DETAIL
644
SHEET 1 OF 7

DEPARTMENT OF PUBLIC WORKS

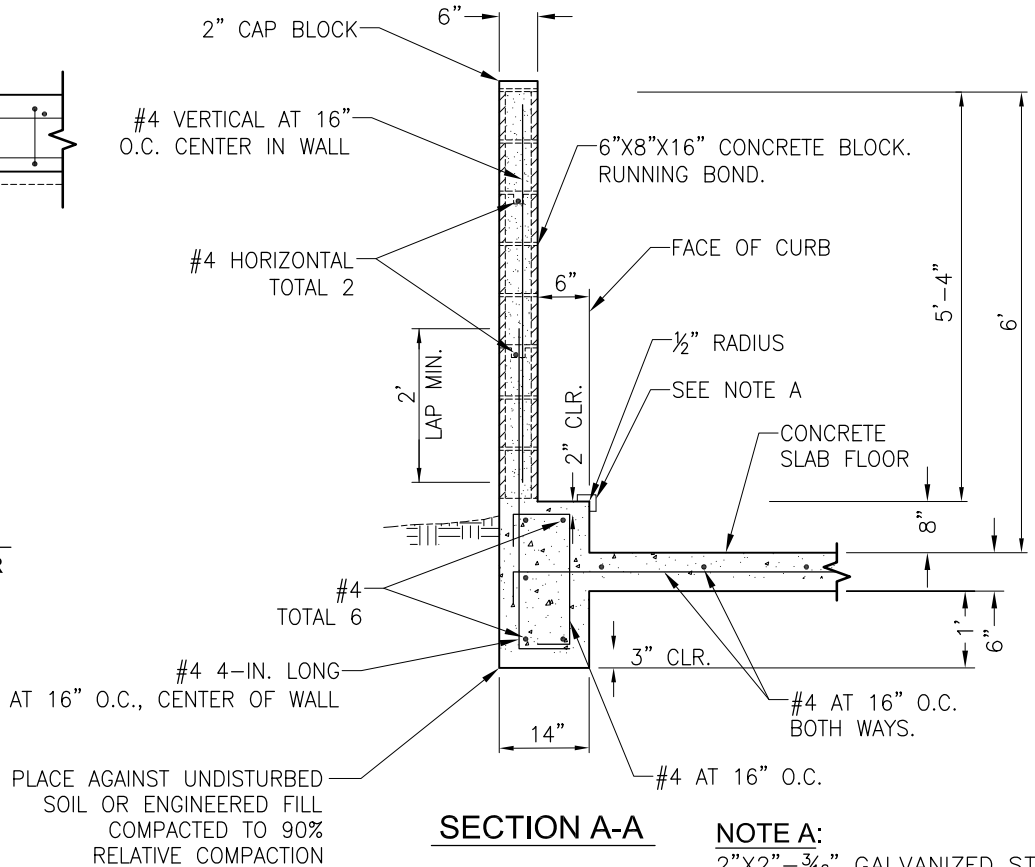


PLAN

NOTE
 CROSS SLOPES IN APRON
 NOT TO EXCEED 2% IN
 ANY DIRECTION.



CURB CORNER DETAIL
 FOOTING CORNER DETAIL SIMILAR



SECTION A-A

NOTE A:
 2"x2"-3/16" GALVANIZED STEEL
 ANGLE CURB GUARD AROUND
 ALL INTERIOR CURBS

**SOLID WASTE CONTAINER ENCLOSURE
 OPTION A**



REVISIONS			
No.	DATE	No.	DATE

[Signature]
 CITY ENGINEER

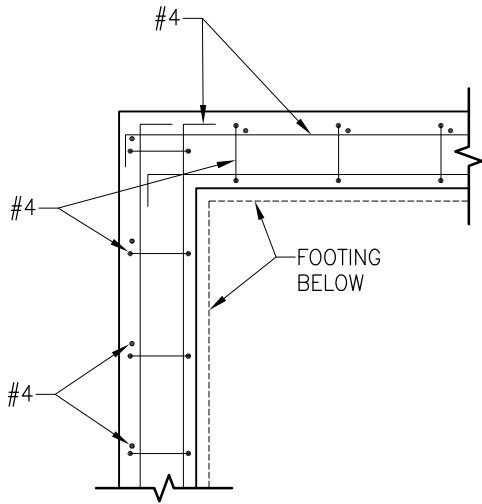
05/05/22
 DATE

[Signature]
 DIRECTOR OF PUBLIC WORKS

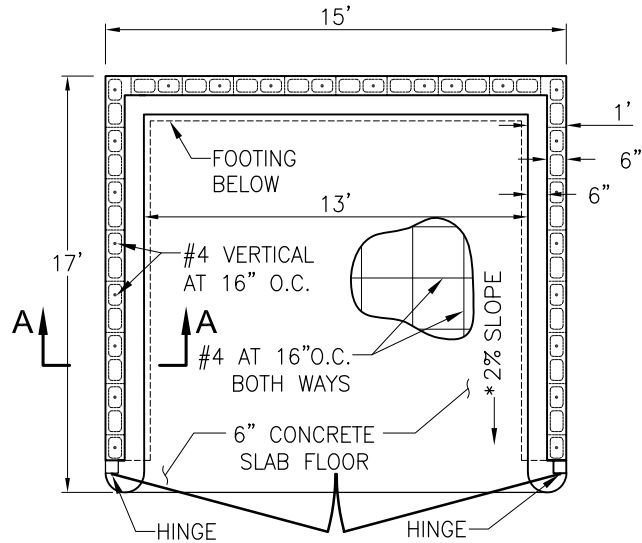
05/05/22
 DATE

STANDARD DETAIL
644
 SHEET 2 OF 7

DEPARTMENT OF PUBLIC WORKS

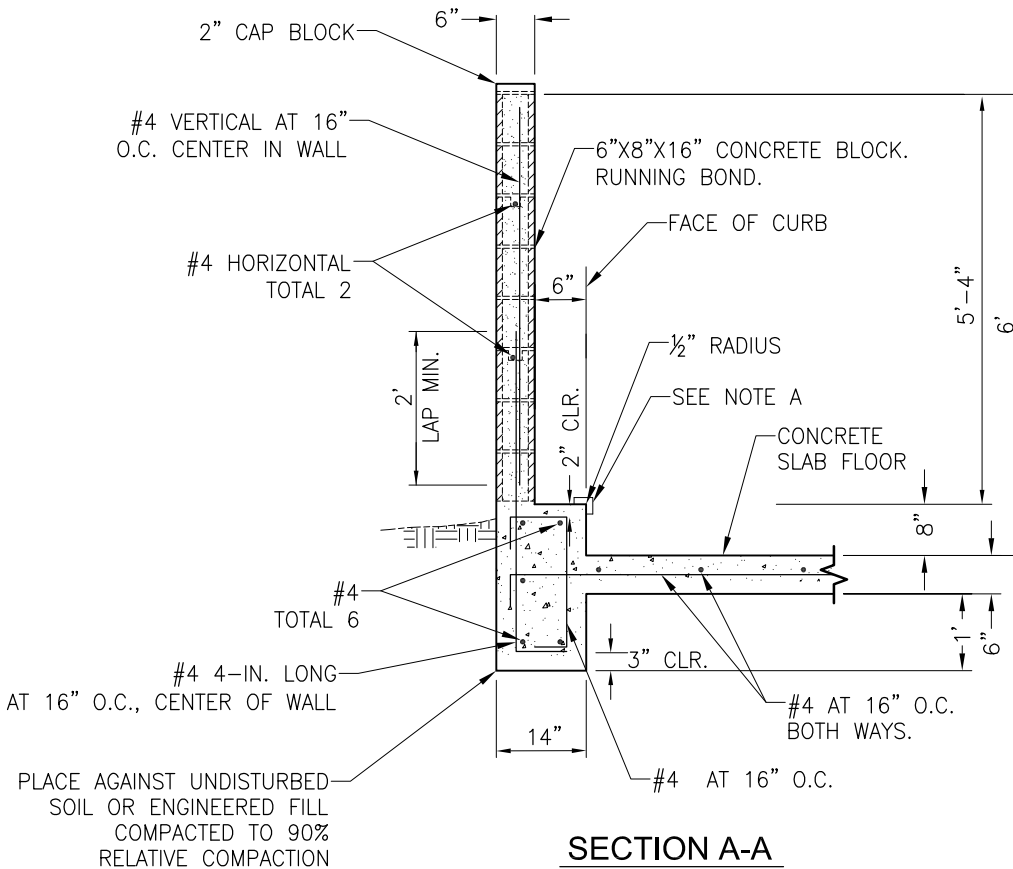


CURB CORNER DETAIL
FOOTING CORNER DETAIL SIMILAR



PLAN

NOTE
CROSS SLOPES IN APRON
NOT TO EXCEED 2% IN
ANY DIRECTION.



SECTION A-A

NOTE A:
2"x2"-3/16" GALVANIZED STEEL
ANGLE CURB GUARD AROUND ALL
INTERIOR CURBS

**SOLID WASTE CONTAINER ENCLOSURE
OPTION B**



REVISIONS			
No.	DATE	No.	DATE

[Signature]
CITY ENGINEER

05/05/22
DATE

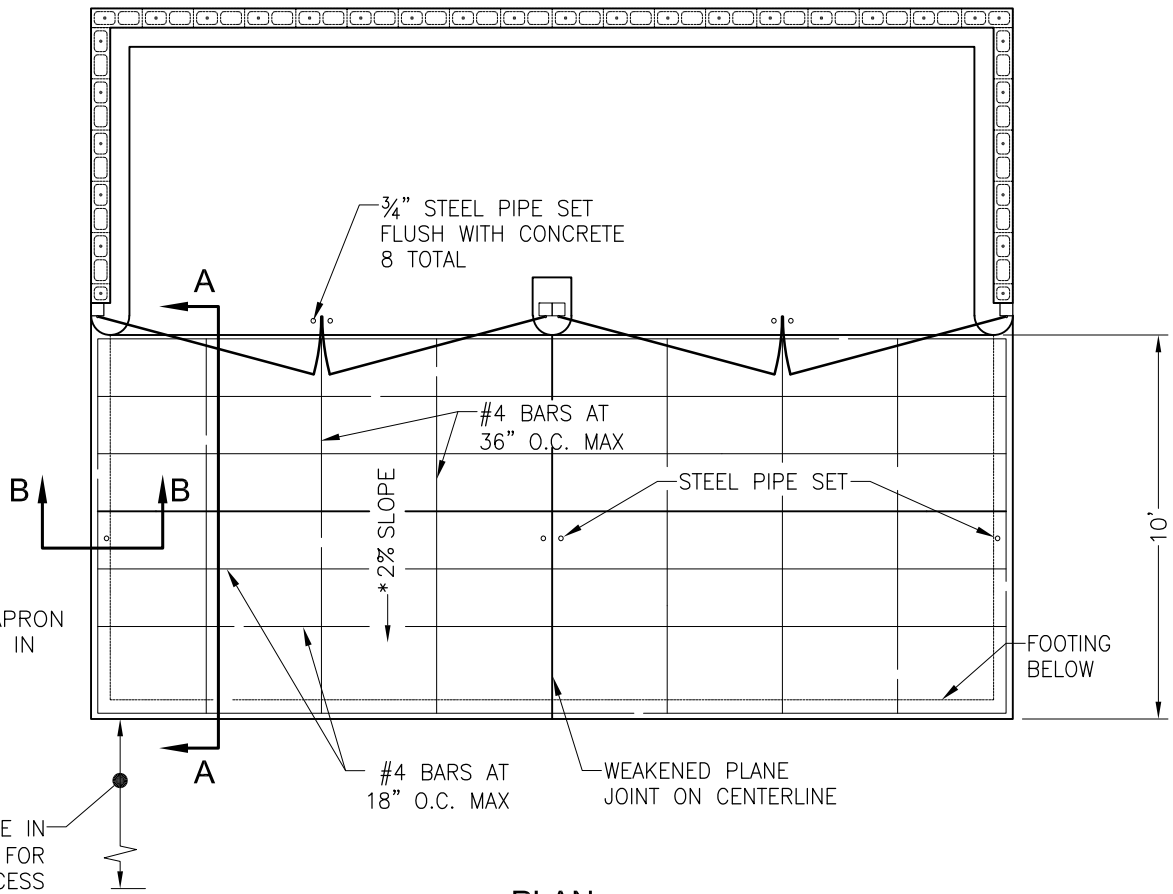
[Signature]
DIRECTOR OF PUBLIC WORKS

05/05/22
DATE

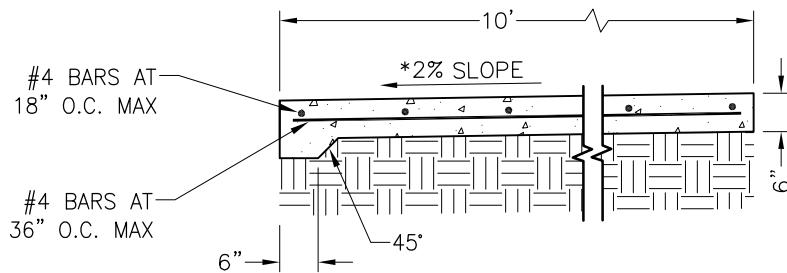
STANDARD DETAIL
644
SHEET 3 OF 7

NOTE
 CROSS SLOPES IN APRON
 NOT TO EXCEED 2% IN
 ANY DIRECTION.

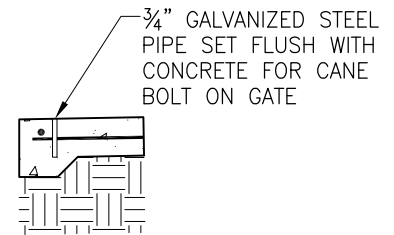
30' MIN CLEARANCE IN
 FRONT OF APRON FOR
 DIRECT STAB ACCESS



PLAN



SECTION A-A



SECTION B-B

NOTES:

1. ALL CONCRETE SHALL BE CLASS 560-C-3250, 3250 PSI MIN.
2. REINFORCED BARS SHALL BE ASTM A615 GRADE 40 MINIMUM DEFORMED STEEL AND SHALL BE CLEAN OF DIRT AND RUST BEFORE PLACEMENT.
3. REINFORCING BARS SHALL HAVE A MINIMUM OF 3" OF CLEAR COVERAGE FROM FROM THE COMPACTED EARTH AND 2' FROM FINISH GRADE.
4. ALL SOLID WASTE CONTAINER ENCLOSURES SHALL HAVE A CONCRETE APRON AS WIDE AS THE ENCLOSURE AND EXTEND 10 FEET IN FRONT OF THE DOORS.
5. CONCRETE PAD SHALL BE PLACED ON MOIST AND COMPACTED BASE MATERIALS. 90% RELATIVE COMPACTION.
6. STEEL PIPE LOCATION IN CONCRETE PAD SHALL BE DETERMINED BY CANE BOLT LOCATION ON GATE. SEE SOLID WASTE CONTAINER ENCLOSURE GATE DETAILS STANDARD DRAWING, SHEET 5.

**SOLID WASTE CONTAINER ENCLOSURE
 CONCRETE APRON**



REVISIONS			
No.	DATE	No.	DATE

[Signature]
 CITY ENGINEER

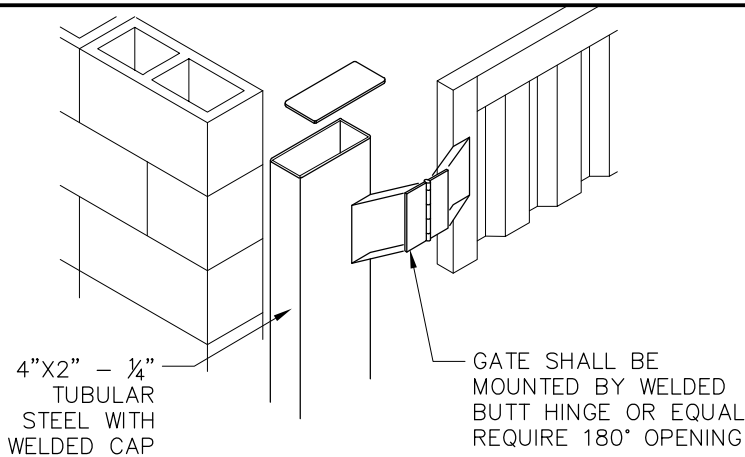
05/05/22
 DATE

[Signature]
 DIRECTOR OF PUBLIC WORKS

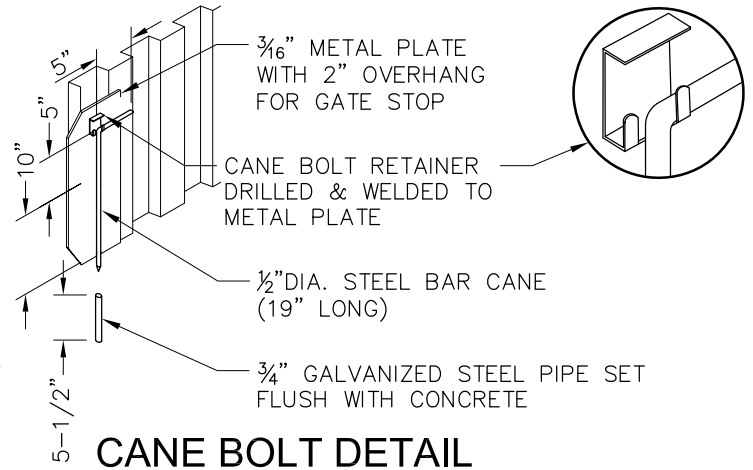
05/05/22
 DATE

STANDARD DETAIL
644
 SHEET 4 OF 7

DEPARTMENT OF PUBLIC WORKS



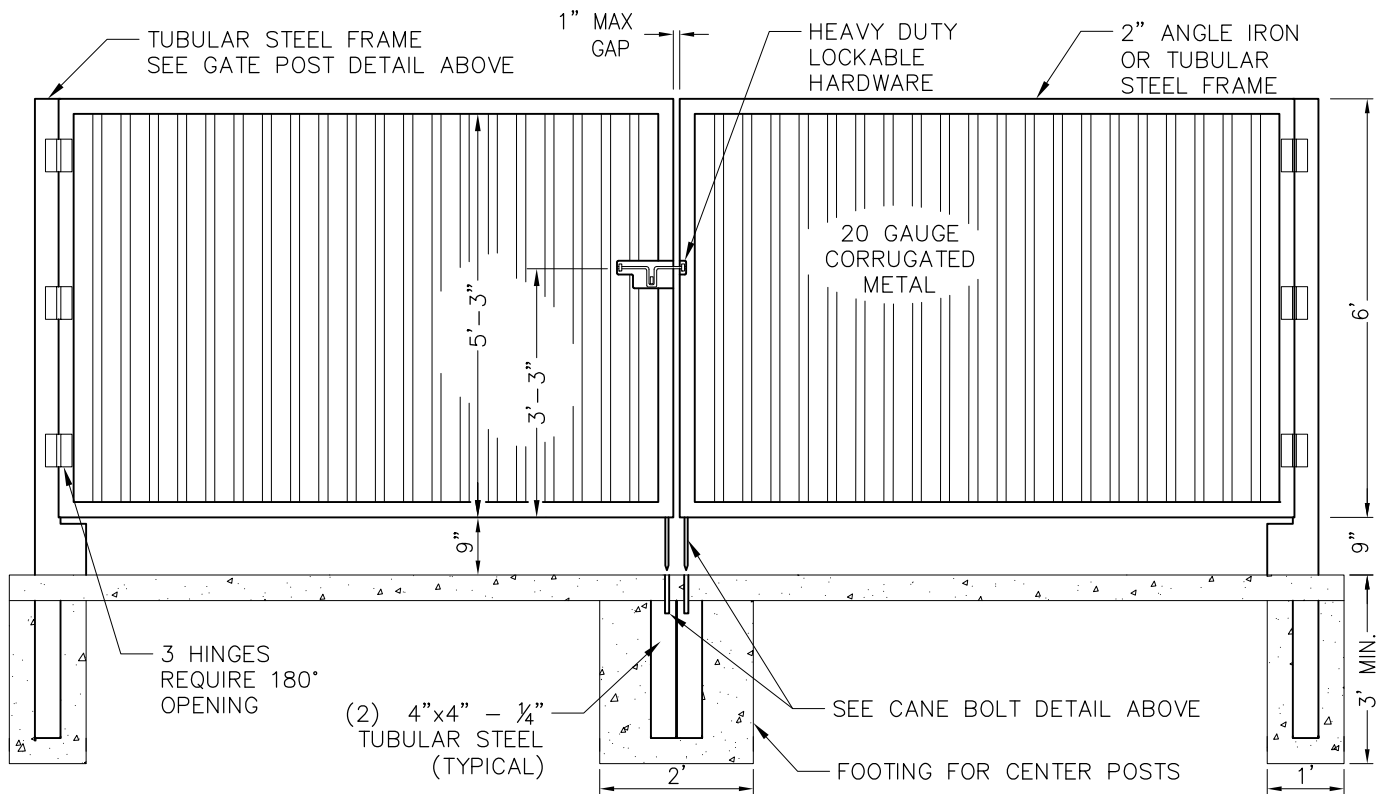
GATE POST DETAIL



CANE BOLT DETAIL

NOTES:

1. GATES TO BE PAINTED TO MATCH BUILDING ACCENT FEATURES.
2. DESIGN, ENGINEERING, AND CONSTRUCTION NOT SPECIFICALLY NOTED SHALL BE IN ACCORDANCE WITH ACCEPTED INDUSTRY STANDARDS & OF FIRST QUALITY.
3. CONCRETE APRON SHALL INCLUDE TWO 3/4" GALVANIZED STEEL PIPES SET FLUSH WITH THE CONCRETE FOR EACH GATE DOOR, BASED ON LOCATION OF CANE BOLTS ON GATE, TO SECURE THE GATE IN THE OPEN OR CLOSED POSITION. SEE SOLID WASTE CONTAINER ENCLOSURE CONCRETE APRON DETAIL STANDARD DRAWING, SHEET 4
4. GATE POST SHALL ABUT THE SOLID WASTE CONTAINER ENCLOSURE.
5. SUBMIT DETAILS OF THE SOLID WASTE CONTAINER ENCLOSURES AND/OR SOLID WASTE CONTAINERS REQUIRED TO BE ACCESSIBLE UNDER THE CURRENT CBC, OR MODIFY THIS DETAIL AS NECESSARY FOR REVIEW AND ACCEPTANCE FROM THE CITY ENGINEER.



SOLID WASTE CONTAINER ENCLOSURE GATE DETAILS



REVISIONS			
No.	DATE	No.	DATE

[Signature]
CITY ENGINEER

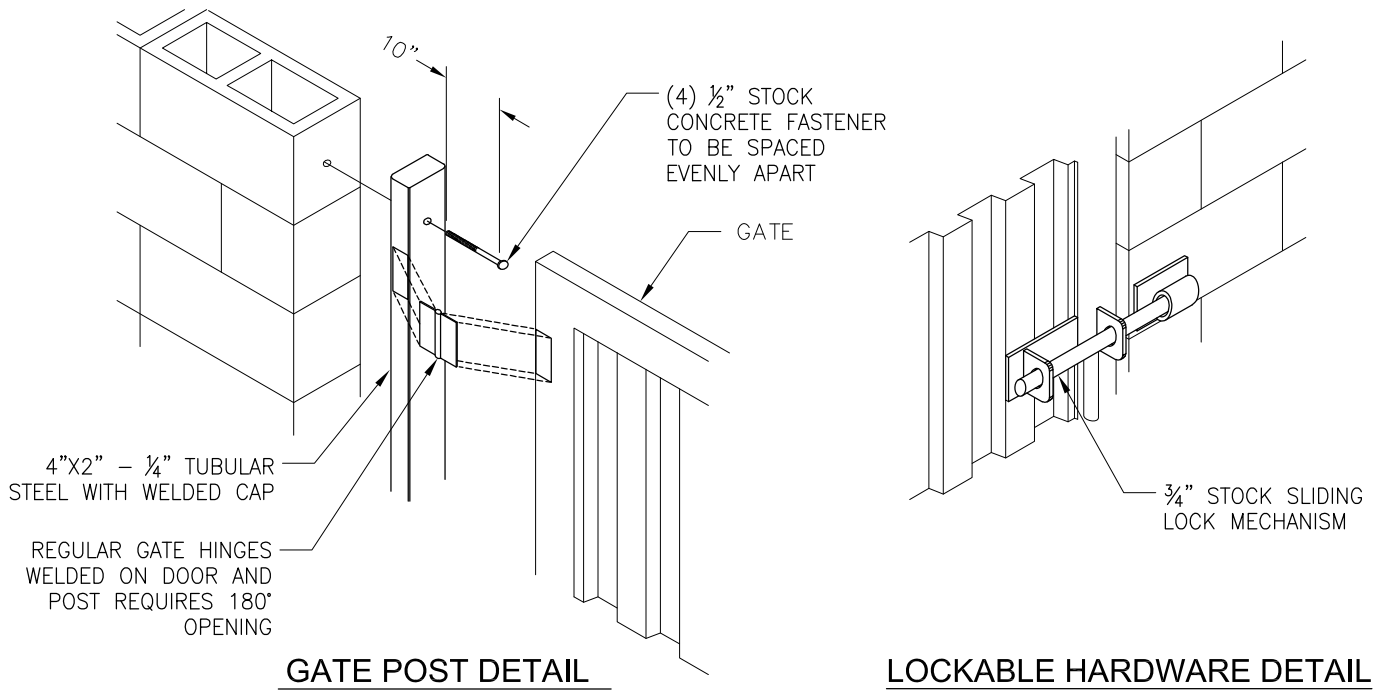
05/05/22
DATE

[Signature]
DIRECTOR OF PUBLIC WORKS

05/05/22
DATE

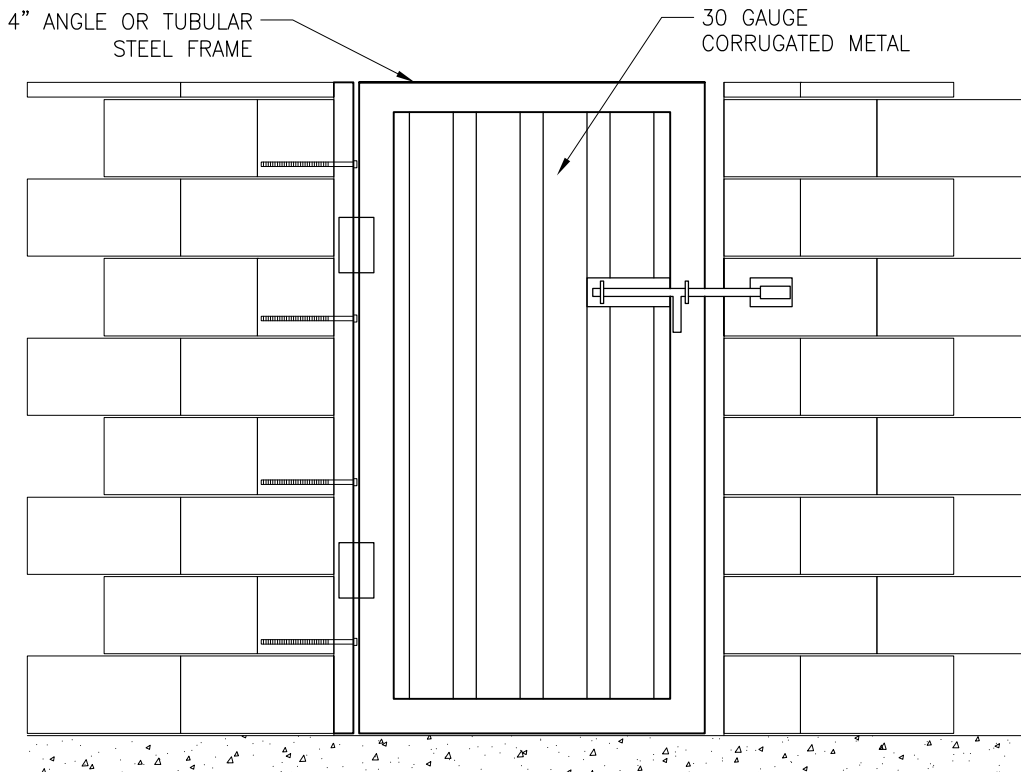
STANDARD DETAIL
644
SHEET 5 OF 7

DEPARTMENT OF PUBLIC WORKS



NOTE:

1. SUBMIT DETAILS OF SOLID WASTE CONTAINER ENCLOSURES AND/OR SOLID WASTE CONTAINER REQUIRED TO BE ACCESSIBLE UNDER THE CURRENT CBC, OR MODIFY THIS DETAIL AS NECESSARY FOR REVIEW AND ACCEPTANCE FROM THE CITY ENGINEER.



**SOLID WASTE CONTAINER ENCLOSURE
OPTIONAL GATE DETAILS**



REVISIONS			
No.	DATE	No.	DATE

[Signature]
CITY ENGINEER

05/05/22
DATE

[Signature]
DIRECTOR OF PUBLIC WORKS

05/05/22
DATE

STANDARD DETAIL
644
SHEET 6 OF 7

DEPARTMENT OF PUBLIC WORKS



NOTES:

1. MASONRY ENCLOSED WALLS SHALL BE FULLY GROUTED.
2. ALL MASONRY SHALL COMPLY WITH CURRENT EDITION OF THE CALIFORNIA BUILDING CODE.
3. ALL CONCRETE SHALL BE CLASS 560-C-3250, 3250 PSI MINIMUM.
4. MASONRY DESIGN IS BASED ON MINIMUM COMPRESSIVE STRENGTH OF $f'_m = 2000$ PSI.
5. INSTALL 2"x2"- $\frac{3}{16}$ " GALVANIZED STEEL ANGLE CURB GUARDS AROUND ALL INTERIOR CURBS OF SOLID WASTE CONTAINER ENCLOSURE.
6. REINFORCING BARS SHALL BE ASTM A615 GRADE 40 DEFORMED STEEL AND SHALL BE CLEAN OF DIRT AND RUST BEFORE PLACEMENT.
7. GROUT SHALL CONFORM TO THE REQUIREMENTS OF ASTM C476 AND ATTAIN A 28-DAY STRENGTH OF 2000 PSI. ADMIXTURES FOR GROUT MUST BE APPROVED BY THE ENGINEER. FIELD ADDITIONS OF ADMIXTURES IS NOT PERMITTED IN SELF CONSOLIDATING GROUT.
8. GROUT STOP SHALL CONSIST OF METAL OR PLASTIC LATH APPROVED BY THE MANUFACTURER TO CREATE A BARRIER THAT STOPS THE FLOW OF GROUT WHEN FILLING THE BLOCK WALL CELLS.
9. SOLID WASTE CONTAINER ENCLOSURE SHALL BE LOCATED A MINIMUM OF 5'-0" FROM ANY BUILDING WALL LINE. OTHERWISE ENCLOSURE MUST COMPLY WITH STRICTER REQUIREMENTS PER THE CALIFORNIA FIRE CODE.
10. ALL HORIZONTAL AND VERTICAL JOINTS SHALL HAVE A CONCAVE FINISH JOINT.
11. GROUND SHALL BE SLOPED 2% AWAY FROM THE ENCLOSURE WALLS.
12. SOLID WASTE CONTAINER ENCLOSURE SHALL HAVE SOLID FACE GATES.
13. LOCATION OF SOLID WASTE CONTAINER ENCLOSURE SHALL BE APPROVED BY THE CITY OF ANAHEIM, DEPARTMENT OF PUBLIC WORKS.
14. ALL SOLID WASTE CONTAINER ENCLOSURES SHALL HAVE A CONCRETE APRON PER SOLID WASTE CONTAINER ENCLOSURE CONCRETE APRON DETAILS STANDARD DRAWING.
15. SUBMIT DETAILS OF SOLID WASTE CONTAINER ENCLOSURES AND/OR SOLID WASTE CONTAINERS REQUIRED TO BE ACCESSIBLE UNDER THE CURRENT CBC, OR MODIFY THIS DETAIL AS NECESSARY FOR REVIEW AND ACCEPTANCE FROM THE CITY ENGINEER.
16. WHERE REQUIRED, PROVIDE ACCESSIBLE TRASH CONTAINERS MEETING THE ACCESSIBLE REQUIREMENTS UNDER THE CURRENT CBC. COORDINATE WITH THE PUBLIC WORKS – SANITATION FOR SERVICEABILITY.

**SOLID WASTE CONTAINER ENCLOSURE
NOTES**



REVISIONS			
No.	DATE	No.	DATE

 _____ CITY ENGINEER	05/05/22 DATE	 _____ DIRECTOR OF PUBLIC WORKS	05/05/22 DATE

STANDARD DETAIL
644
SHEET 7 OF 7

DEPARTMENT OF PUBLIC WORKS