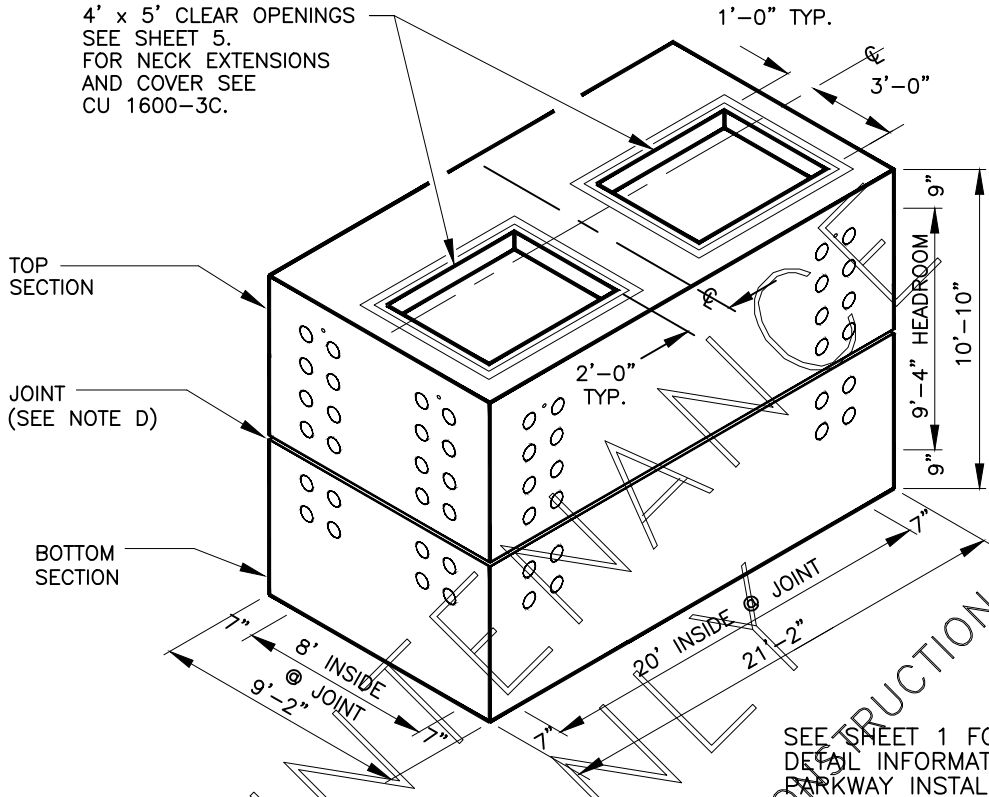


SCOPE: THIS STANDARD SHOWS DETAILS OF 8' X 20' X 9'-4" DISTRIBUTION VAULT, PARKWAY AND TRAFFIC INSTALLED.

4' x 5' CLEAR OPENINGS  
SEE SHEET 5.  
FOR NECK EXTENSIONS  
AND COVER SEE  
CU 1600-3C.



SEE SHEET 1 FOR TYPICAL  
DETAIL INFORMATION AND  
PARKWAY INSTALLATION

**TRAFFIC INSTALLATION**

**NOTES (TYPICAL):**

- A. THE STRUCTURE SHALL MEET THE APPLICABLE REQUIREMENTS OF THE LATEST REVISED EDITIONS OF THE FOLLOWING STANDARDS: ACI318, ASTM C-857 & AASHTO (WHICH INCLUDES AASHTO H-20 TRAFFIC WHEEL LOADING).
- B. FOR VAULT DESIGN PURPOSES, USE 3' GROUND WATER TABLE LEVEL.
- C. INTERIOR WALLS, CEILING, AND NECK SHALL BE PAINTED WITH 2 COATS FLAT WHITE PAINT. (FRAZEE #410 LATEX OR APPROVED EQUAL).
- D. ALL JOINTS SHALL BE GASKETED AND WATERTIGHT.
- E. EXCAVATIONS PER CU 1600-4B, MINIMUM SIZE: SEE MANUFACTURES SUGGESTED EXCAVATION SIZE.
- F. SEE CU 1600-4D FOR TYPICAL VAULT SETTING DETAILS.
- G. PANEL OR TUNNEL STYLE REQUIRE APPROVAL BY ELECTRICAL ENGINEERING DIVISION.
- H. TRAFFIC STYLE TO INCLUDE 2 ACCESS LADDER.
- J. FOR VAULT VENTING, SEE CU 1700-6.
- K. FOR SUMP PUMP INSTALLATION, SEE CU 1700-5.
- L. FOR VAULT IDENTIFICATION, SEE C0 114-10.

VAULT LOCATION	STYLE	JENSEN CAT. NO.	UTILITY VAULT CAT. NO.	ANAHEIM CU. NO.
TRAFFIC	TUB	K820-FV112-163H	COFA 820-114-T	V8X20CONT

MOVED PARKWAY STYLE TO MAINTENANCE

FILENAME: CU1600-3H REV4

**CITY OF ANAHEIM**  
PUBLIC UTILITIES DEPARTMENT  
ELECTRICAL DIVISION  
T&D CONSTRUCTION STANDARDS

APPROVALS

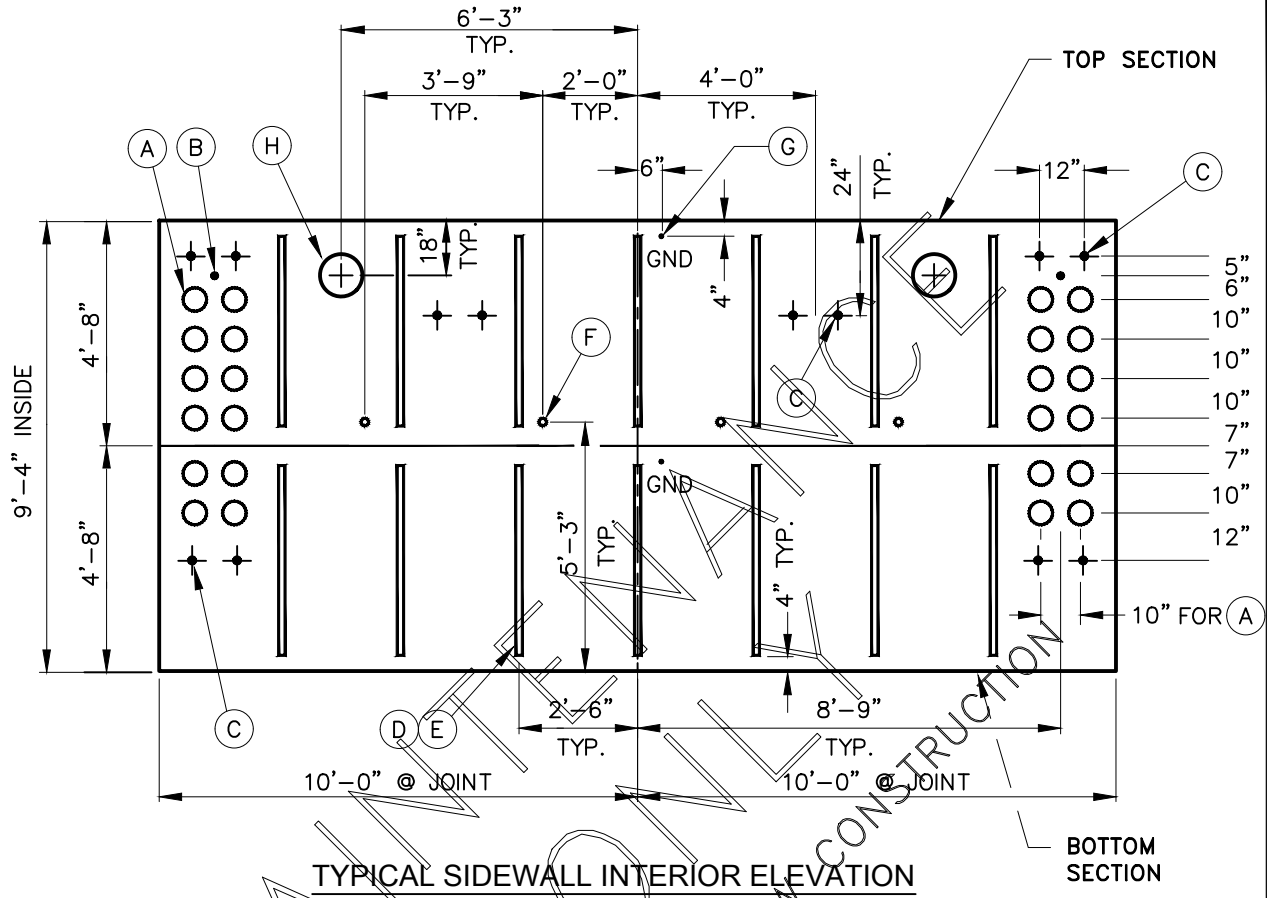
PREP BY	T&D MGR	SYS PLN MGR	OPS MGR	SUB MAINT
MH	EB	--	DA	--

REVISION KEYS: ADDED / REVISED TEXT ADDED / REVISED MATERIAL

**DISTRIBUTION VAULT**  
**8' x 20' x 9'-4" DEEP PARKWAY**  
**OR TRAFFIC INSTALLED**

NEW SHEET	NEW SHEET
REVISION NO. 4	
ISSUE DATE: 01-16	
SHEET 1 OF 4	
CONSTRUCTION STANDARD:	
<b>CU 1600-3H</b>	

FILENAME: CU1600-3H REV4



ITEM (PER SIDEWALL):

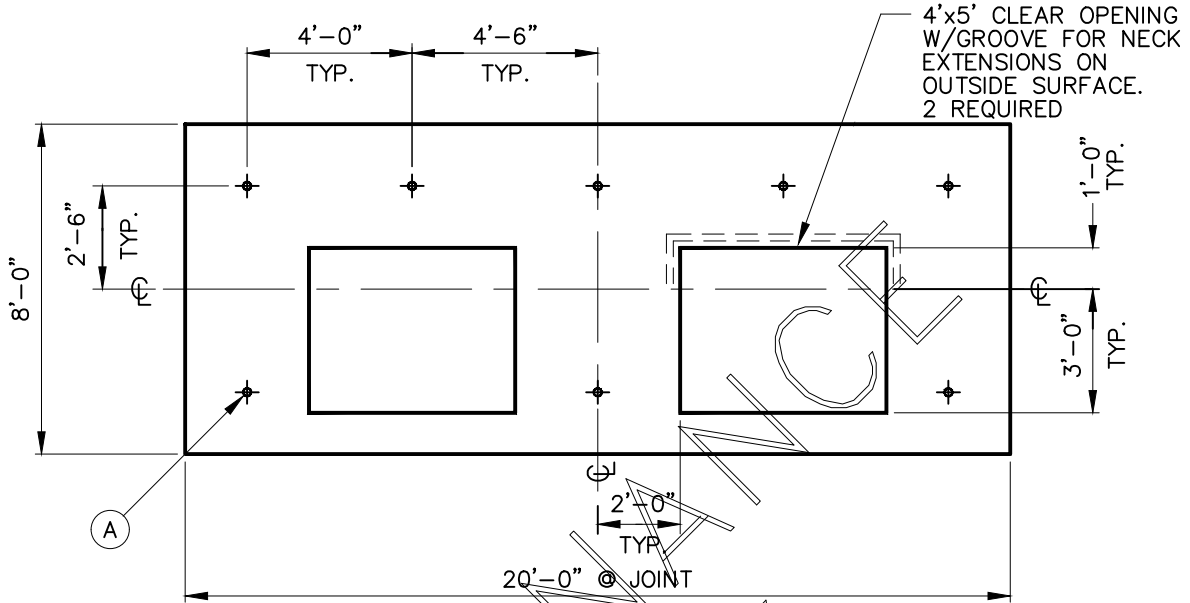
- A. 6" DIAMETER PVC CONDUIT TERMINATORS - 24 REQD.
- B. 1" DIAMETER PVC GROUND WIRE SLEEVE - 2 REQD.
- C. 1" DIA. x 6" DOUBLE COIL INSERT, GALV., 10,000 LB. PULL CAPACITY - 6 REQD.
- D. 1k" x 1k" x 48" LG. UNISTRUT WITH SHORT SLOTS, GALV., WITH y" DIA. STAINLESS STEEL FASTENERS - 14 REQD.
- E. y" DIA. IMPERIAL I-5000 PLASTIC INSERT - 28 REQD.
- F. k" DIA. x 3j" NC THREADED INSERT, 2000 LB LOAD CAPACITY - 4 REQD.
- G. y" DIA. BRONZE GROUND INSERT, GROUND TO REINFORCEMENT BARS. - 2 REQD.
- H. 10" DIA. PLASTIC VENT COUPLING - 2 REQD.

MOVED PARKWAY STYLE TO MAINTENANCE

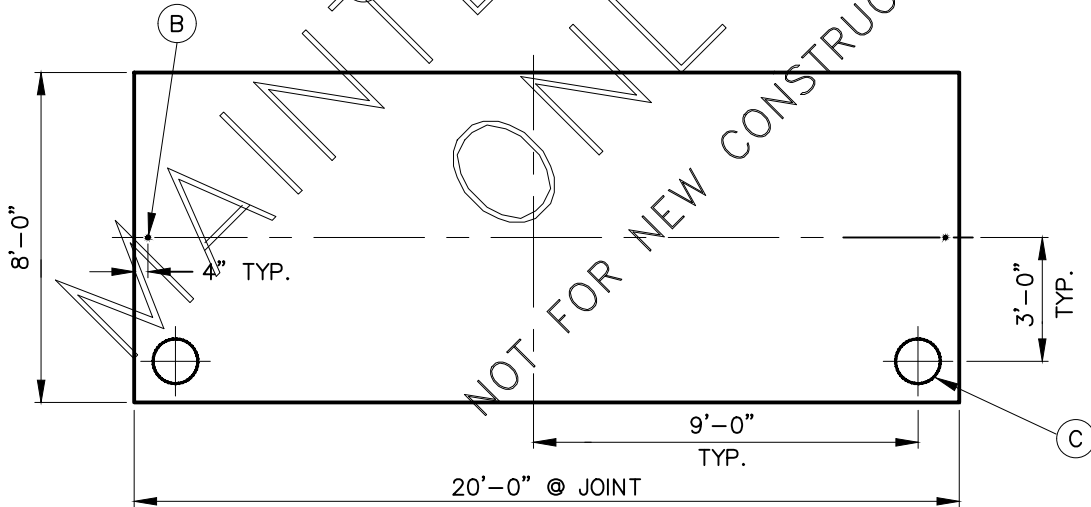
<b>CITY OF ANAHEIM</b> PUBLIC UTILITIES DEPARTMENT ELECTRICAL DIVISION T&D CONSTRUCTION STANDARDS	REVISION KEYS:	ADDED / REVISED TEXT	ADDED / REVISED MATERIAL	NEW SHEET	NEW SHEET																		
	<b>DISTRIBUTION VAULT</b> <b>8' x 20' x 9'-4" DEEP PARKWAY</b> <b>OR TRAFFIC INSTALLED</b>	REVISION NO. <b>4</b> ISSUE DATE: <b>01-16</b> SHEET <b>2</b> OF <b>4</b> CONSTRUCTION STANDARD:	<b>CU 1600-3H</b>																				
<table border="1" style="width: 100%; border-collapse: collapse;"> <thead> <tr> <th colspan="6">APPROVALS</th> </tr> <tr> <th>PREP BY</th> <th>T&amp;D MGR</th> <th>SYS PLN MGR</th> <th>OPS MGR</th> <th>SUB MAINT</th> <th></th> </tr> </thead> <tbody> <tr> <td>MH</td> <td>EB</td> <td>-</td> <td>DA</td> <td>-</td> <td></td> </tr> </tbody> </table>						APPROVALS						PREP BY	T&D MGR	SYS PLN MGR	OPS MGR	SUB MAINT		MH	EB	-	DA	-	
APPROVALS																							
PREP BY	T&D MGR	SYS PLN MGR	OPS MGR	SUB MAINT																			
MH	EB	-	DA	-																			



FILENAME: CU1600-3H REV4



**CEILING VIEW**  
 DOUBLE OPENING TOP SECTION ONLY  
 (INSERTS **A** NOT REQUIRED FOR PARKWAY STYLE)



**TYPICAL FLOOR VIEW**

ITEM ):

- A. 1" DIAMETER COIL INSERT, GALV. - 8 REQD.
- B. 1/2" DIA COPPER CLAD GROUND ROD, WELD TO REINFORCEMENT & PROJECT 3" MIN. - 2 REQD.
- C. 13" DIA. SUMP, 5" DEEP W/PLATE RECESS. LOCATE AS SHOWN. - 2 REQD.

MOVED PARKWAY STYLE TO MAINTENANCE

<b>CITY OF ANAHEIM</b> PUBLIC UTILITIES DEPARTMENT ELECTRICAL DIVISION T&D CONSTRUCTION STANDARDS		REVISION KEYS:	ADDED / REVISED TEXT	ADDED / REVISED MATERIAL	NEW SHEET	NEW SHEET	
		<b>DISTRIBUTION VAULT</b> <b>8' x 20' x 9'-4" DEEP PARKWAY</b> <b>OR TRAFFIC INSTALLED</b>				REVISION NO. <b>4</b>	ISSUE DATE: <b>01-16</b>
APPROVALS PREP BY: <i>MH</i> T&D MGR: <i>EB</i> SYS PLN MGR: <i>-</i> OPS MGR: <i>DA</i> SUB MAINT: <i>-</i>						SHEET <b>4</b> OF <b>4</b>	CONSTRUCTION STANDARD: <b>CU 1600-3H</b>