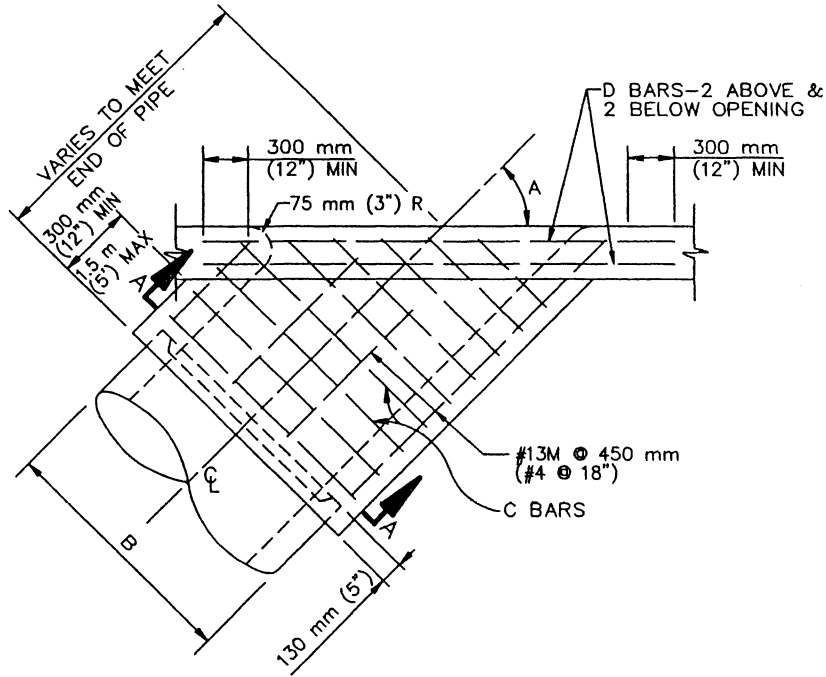


PLAN  
CORNER CONNECTION



PLAN  
SIDE CONNECTION

STANDARD PLANS FOR PUBLIC WORKS CONSTRUCTION		
PROMULGATED BY THE PUBLIC WORKS STANDARDS, INC., GREENBOOK COMMITTEE 1984 REV. 1996	<h2 style="margin: 0;">MONOLITHIC CATCH BASIN CONNECTION</h2>	STANDARD PLAN METRIC <h2 style="margin: 0;">308-1</h2>
USE WITH STANDARD SPECIFICATIONS FOR PUBLIC WORKS CONSTRUCTION		
		SHEET 1 OF 2

STRUCTURAL DATA							
B	t	C BARS	D&E BARS	B	t	C BARS	D&E BARS
300 mm (12")	115 mm (4")	#13M @ 150 mm (#4 @ 6")	#16M (#5)	1050 mm (42")	190 mm (7 1/2")	#16M @ 150 mm (#5 @ 6")	#19M (#6)
375 mm (15")	115 mm (4 1/4")			1125 mm (45")	190 mm (7 3/4")		
450 mm (18")	115 mm (4 1/2")			1200 mm (48")	215 mm (8")		
525 mm (21")	140 mm (5")			1275 mm (51")	215 mm (8 1/2")		
600 mm (24")	140 mm (5 1/4")			1350 mm (54")	240 mm (9")		
675 mm (27")	140 mm (5 1/2")			1425 mm (57")	240 mm (9 1/4")		
750 mm (30")	165 mm (6")			1500 mm (60")	240 mm (9 1/2")		
825 mm (33")	165 mm (6 1/4")			1575 mm (63")	260 mm (10")		
900 mm (36")	165 mm (6 1/2")			1650 mm (66")	260 mm (10 1/4")		
975 mm (39")	190 mm (7")			1725 mm (69")	280 mm (10 3/4")		
				1800 mm (72")	280 mm (11")		
FOR B GREATER THAN 1800 mm (72") SEE PLANS							

NOTES

1. REINFORCING STEEL SHALL BE 40 mm (1-1/2") CLEAR FROM FACE OF CONCRETE UNLESS OTHERWISE SHOWN.
2. REINFORCING STEEL FOR INSIDE FACE OF CATCH BASIN SHALL BE CUT AT CENTER OF OPENING AND BENT INTO WALLS OF MONOLITHIC CATCH BASIN CONNECTION. REINFORCING STEEL FOR OUTSIDE FACE OF CATCH BASIN SHALL BE CUT 50 mm (2") CLEAR OF OPENING.
3. CONNECTION SHALL BE PLACED MONOLITHIC WITH CATCH BASIN. THE ROUNDED EDGE OF OUTLET SHALL BE CONSTRUCTED BY PLACING CONCRETE WITH THE SAME CLASS OF CONCRETE AS THE CATCH BASIN AGAINST A CURVED FORM WITH A RADIUS OF 75 mm (3").
4. CONNECTIONS SHALL BE CONSTRUCTED WHEN:
  - (A) PIPES INLET OR OUTLET THROUGH CORNER OF CATCH BASIN
  - (B) ANGLE A FOR PIPES THROUGH 750 mm (30") IN DIAMETER IS LESS THAN 70° OR GREATER THAN 110°.