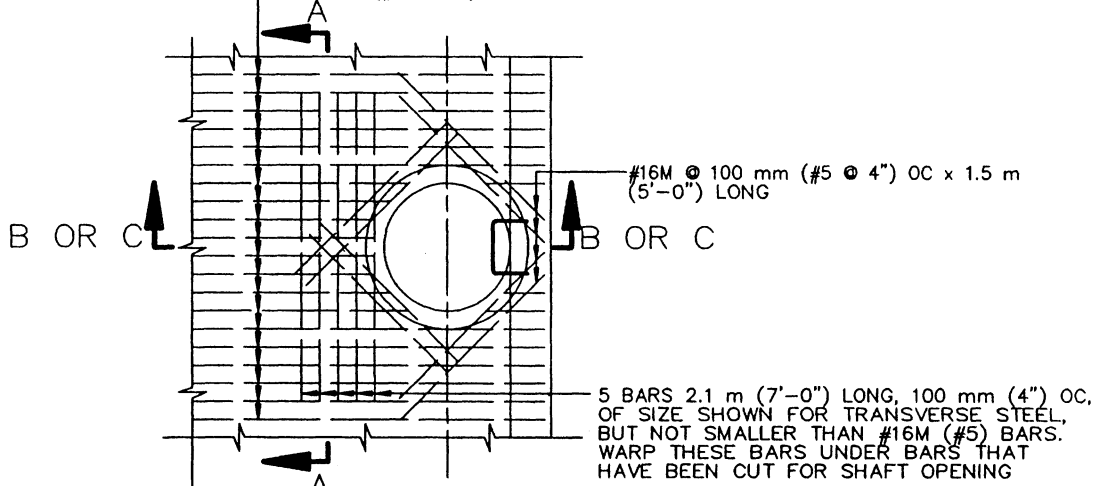
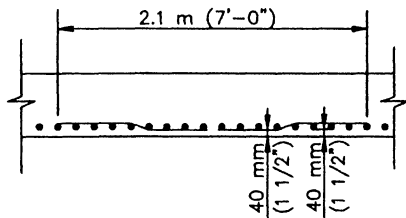


SIZE AND SPACING OF STEEL AS SHOWN ON PROJECT DRAWINGS, EXCEPT THAT 5 BARS ON EACH SIDE OF SHAFT SHALL BE NOT SMALLER THAN #16M @ 100 mm (#5 @ 4") OC OR EQUIVALENT

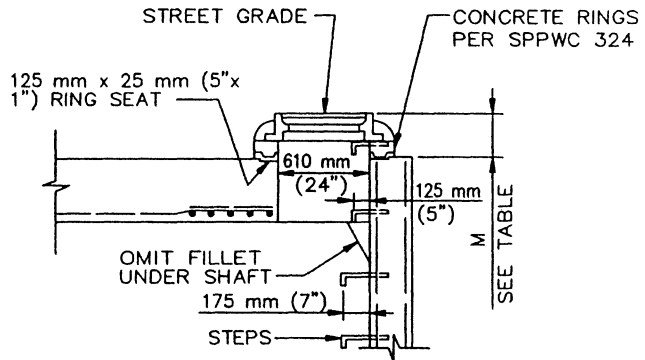


PLAN

(SHAFT NOT SHOWN)



SECTION A - A

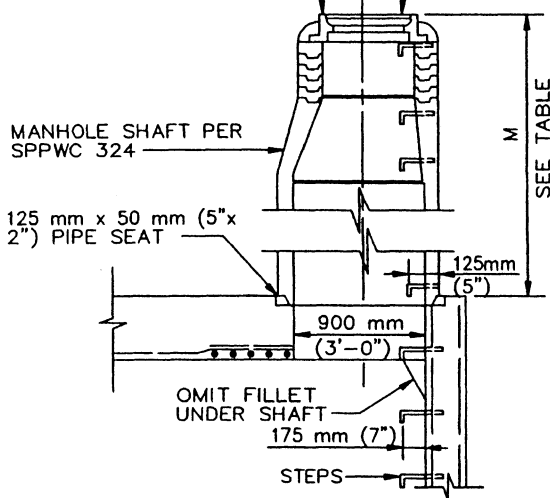


SECTION C - C

SEE NOTE 1

MANHOLE FRAME AND COVER PER SPPWC 630

STREET GRADE



SECTION B - B

TABLE OF VALUES FOR M (SEE NOTE 1)

SECTION	PAVED STREET		UNPAVED STREET	
	MAX	MIN	MAX	MIN
B - B	-	867 mm (2'-10 1/2")	-	1060 mm (3'-6")
C - C	282 mm (11")	217 mm (8 1/2")	410 mm (16")	380 mm (15")

STANDARD PLANS FOR PUBLIC WORKS CONSTRUCTION

PROMULGATED BY THE
PUBLIC WORKS STANDARDS INC.
GREENBOOK COMMITTEE
1992
REV. 1996

**MANHOLE - CONCRETE
BOX STORM DRAIN**

STANDARD PLAN
METRIC
323-1

USE WITH STANDARD SPECIFICATIONS FOR PUBLIC WORKS CONSTRUCTION

SHEET 1 OF 2

NOTES

1. WHEN DEPTH M FROM STREET GRADE TO THE TOP OF THE BOX IS LESS THAN 867 mm (2'-10 1/2") FOR PAVED STREETS OR 1060 mm (3'-6") FOR UNPAVED STREETS, CONSTRUCT SHAFT PER SECTION C-C.
2. STATIONS OF MANHOLES SHOWN ON PLANS. APPLY AT CENTERLINE LINE OF SHAFT. ELEVATIONS ARE SHOWN AT CENTERLINE OF SHAFT.
3. REINFORCEMENT SHALL CONFORM TO ASTM A 615M, GRADE 300 (ASTM A 615, GRADE 40), AND SHALL TERMINATE 40 mm (1 1/2") CLEAR OF CONCRETE SURFACES UNLESS OTHERWISE SHOWN.
4. STEPS SHALL CONFORM TO SPPWC 635 OR 636. UNLESS OTHERWISE SHOWN, STEPS SHALL BE UNIFORMLY SPACED 350 mm (14") TO 375 mm (15") OC. THE LOWEST STEP SHALL NOT BE MORE THAN 600 mm (24") ABOVE THE INVERT.
5. MANHOLE FRAME AND COVER SHALL CONFORM TO SPPWC 630 UNLESS OTHERWISE SHOWN.
6. MANHOLE SHAFT SHALL CONFORM TO SPPWC 324 UNLESS OTHERWISE SHOWN.
7. WHERE A MANHOLE SHAFT - 900 mm (36") WITHOUT REDUCER IS SPECIFIED REFER TO SPPWC 326.
8. WHERE A PRESSURE MANHOLE SHAFT - WITH ECCENTRIC REDUCER IS SPECIFIED REFER TO SPPWC 328.
9. WHERE A PRESSURE MANHOLE SHAFT - 914 mm (36") WITHOUT REDUCER IS SPECIFIED REFER TO SPPWC 329.
10. THE FOLLOWING SPPWC ARE INCORPORATED HEREIN:
 - 324 MANHOLE SHAFT - WITH ECCENTRIC REDUCER
 - 326 MANHOLE SHAFT - 900 mm (36") WITHOUT REDUCER
 - 328 PRESSURE MANHOLE SHAFT - WITH ECCENTRIC
 - 329 PRESSURE MANHOLE SHAFT - 914 mm (36") WITHOUT REDUCER
 - 630 610 mm (24") MANHOLE FRAME AND COVER
 - 633 914 mm (36") MANHOLE FRAME AND COVER
 - 635 STEEL STEP
 - 636 POLYPROPYLENE PLASTIC STEP

STANDARD PLANS FOR PUBLIC WORKS CONSTRUCTION

**MANHOLE - CONCRETE
BOX STORM DRAIN**

STANDARD PLAN
METRIC

323-1

SHEET 2 OF 2