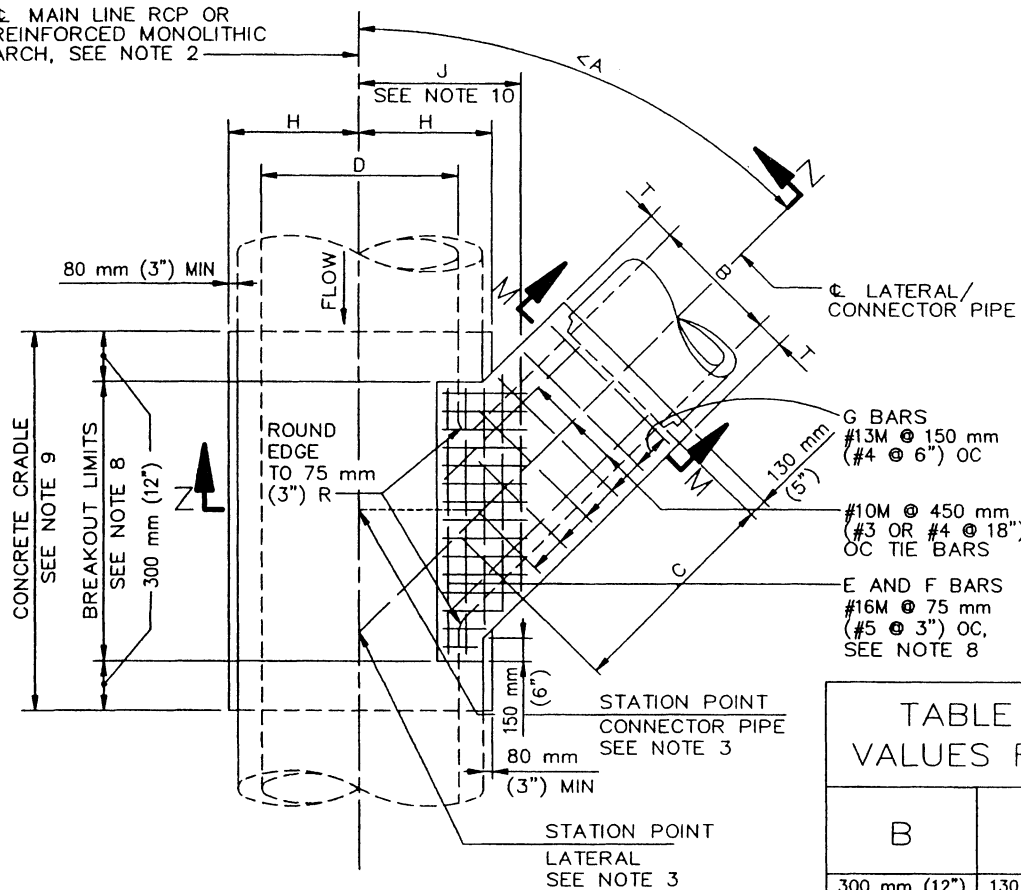


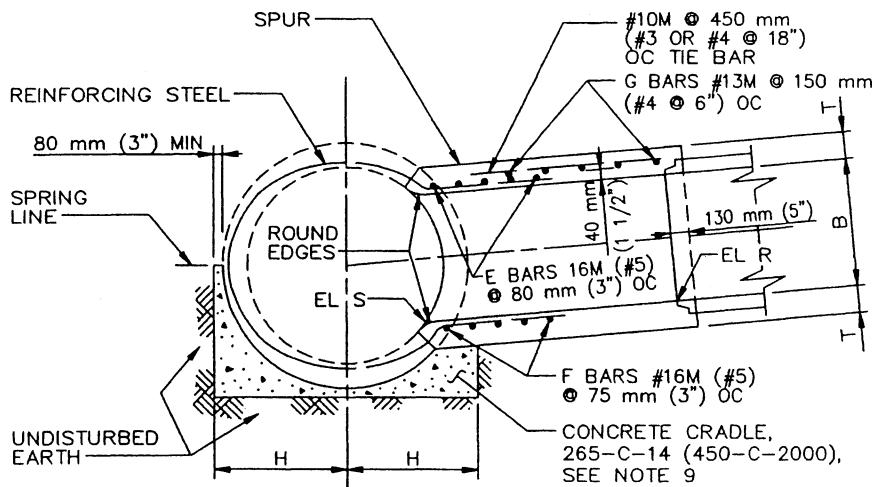
☉ MAIN LINE RCP OR REINFORCED MONOLITHIC ARCH, SEE NOTE 2



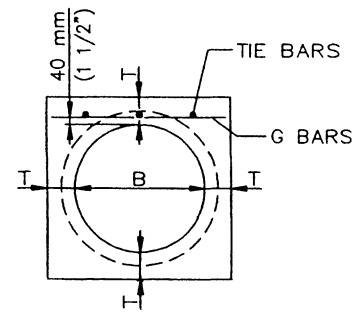
PLAN

TABLE OF VALUES FOR T

B	T
300 mm (12")	130 mm (5")
375 mm (15")	130 mm (5")
450 mm (18")	130 mm (5")
525 mm (21")	130 mm (5")
600 mm (24")	140 mm (5 1/2")
675 mm (27")	140 mm (5 1/2")
750 mm (30")	150 mm (6")
825 mm (33")	170 mm (6 1/2")
900 mm (36")	170 mm (6 1/2")
975 mm (39")	180 mm (7")



SECTION Z-Z



SECTION M-M

STANDARD PLANS FOR PUBLIC WORKS CONSTRUCTION

PROMULGATED BY THE PUBLIC WORKS STANDARDS INC. GREENBOOK COMMITTEE 1984 REV. 1996, 1999

JUNCTION STRUCTURE—PIPE TO PIPE
INLET ID D 600 mm (24") OR OD > 1/2 MAIN LINE ID

USE WITH STANDARD SPECIFICATIONS FOR PUBLIC WORKS CONSTRUCTION

STANDARD PLAN METRIC

331-2

SHEET 1 OF 2

NOTES

1. THIS JUNCTION STRUCTURE SHALL BE USED WHEN THE OUTSIDE DIAMETER OF THE LATERAL IS GREATER THAN 1/2 THE INSIDE DIAMETER D OF THE MAIN LINE; OR WHEN THE INSIDE DIAMETER B OF THE LATERAL IS GREATER THAN 600 mm (24"). B SHALL NOT EXCEED 0.75 D OR 975 mm (39").
2. IF THE MAIN LINE IS A REINFORCED MONOLITHIC ARCH STORM DRAIN, D SHALL REFER TO THE CLEAR SPAN OF THE ARCH. REINFORCING STEEL SHALL BE CUT AND BENT INTO THE JUNCTION STRUCTURE IN THE SAME MANNER AS FOR A PIPE. A CONCRETE CRADLE IS NOT REQUIRED FOR A REINFORCED MONOLITHIC ARCH.
3. STATIONS SHOWN ON THE PLANS FOR LATERALS APPLY AT THE INTERSECTION OF CENTERLINES OF MAIN LINE AND LATERAL. STATIONS SHOWN ON THE PLANS FOR CATCH BASIN CONNECTOR PIPES APPLY AT THE INTERSECTION OF THE INSIDE WALL OF THE MAIN LINE WITH THE CONNECTOR PIPE CENTERLINE.
4. VALUES FOR A, B, C AND D SHALL BE SHOWN ON THE PLANS. ELEVATION R AND ELEVATION S SHALL BE SHOWN ONLY WHEN REQUIRED PER NOTE 5.
5.
 - a. ELEVATIONS R AND S NEED NOT BE SHOWN ON THE PLANS IF THE INLET PIPE IS TO ENTER THE MAIN LINE RADially.
 - b. ELEVATION R SHALL BE SHOWN ON THE PLANS ONLY IF A STUB IS TO BE PROVIDED IN THE MAIN LINE FOR FUTURE CONNECTION OF AN INLET PIPE.
 - c. ELEVATION S SHALL BE SHOWN ON THE PLANS IF AN INLET PIPE IS TO ENTER THE MAIN LINE OTHER THAN RADially. INLET PIPE SHALL BE LAID ON A STRAIGHT GRADE FROM ELEVATION S TO THE CATCH BASIN OR GRADE BREAK IN LINE.
6. THE INLET PIPE SHALL ENTER THE MAIN LINE RADially UNLESS OTHERWISE INDICATED. THE INLET PIPE MAY ENTER THE MAIN LINE OTHER THAN RADially IF ANGLE A IS GREATER THAN 45°, B IS LESS THAN OR EQUAL TO 600 mm (24") AND THE OUTSIDE DIAMETER OF THE INLET PIPE IS LESS THAN 0.5 D; OTHERWISE, SPPWC 340 SHALL BE USED.
7. NO MORE THAN ONE OPENING SHALL BE MADE IN ANY ONE SECTION OF PIPE.
8. THE OPENING FOR THE BREAKOUT SHALL BE RECTANGULAR AND CUT NORMAL TO THE PIPE SURFACE WITHOUT DAMAGING THE REINFORCING STEEL. THE TRANSVERSE REINFORCEMENT OF THE MAIN LINE SHALL BE CUT AT THE CENTER OF THE OPENING AND BENT INTO THE TOP AND BOTTOM SLABS OF THE SPUR.
9. THE MAIN LINE SHALL BE REINFORCED WITH A CONCRETE CRADLE AND ENCASEMENT (AS APPLICABLE). A CONCRETE ENCASEMENT IS REQUIRED IF A JOINT IN THE MAIN LINE FALLS WITHIN THE LIMITS OF THE CRADLE. THE CONCRETE ENCASEMENT SHALL EXTEND 300 mm (12") ABOVE THE TOP OF THE MAIN LINE AND TO THE LIMITS OF THE CRADLE. IF CONNECTING TO AN EXISTING STORM DRAIN, PORTION OF CRADLE OPPOSITE INLET MAY BE OMITTED.
10. REINFORCING STEEL SHALL CONFORM TO ASTM A 615M, GRADE 300, (ASTM A 615, GRADE 40), AND BE PLACED 40 mm (1 1/2") CLEAR FROM CONCRETE SURFACES, UNLESS OTHERWISE SHOWN F BARS SHALL BE CARRIED TO A POINT NOT LESS THAN J DISTANCE FROM CENTER LINE WITH $J=7D/12 + 150 \text{ mm (6")}$.
11. FLOOR OF THE SPUR SHALL BE STEEL-TROWELED TO THE SPRING LINE OF THE SPUR.

STANDARD PLANS FOR PUBLIC WORKS CONSTRUCTION

JUNCTION STRUCTURE—PIPE TO PIPE
INLET ID \geq 600 mm (24") OR OD $>$ 1/2 MAIN LINE ID

STANDARD PLAN
METRIC

331-2

SHEET 2 OF 2