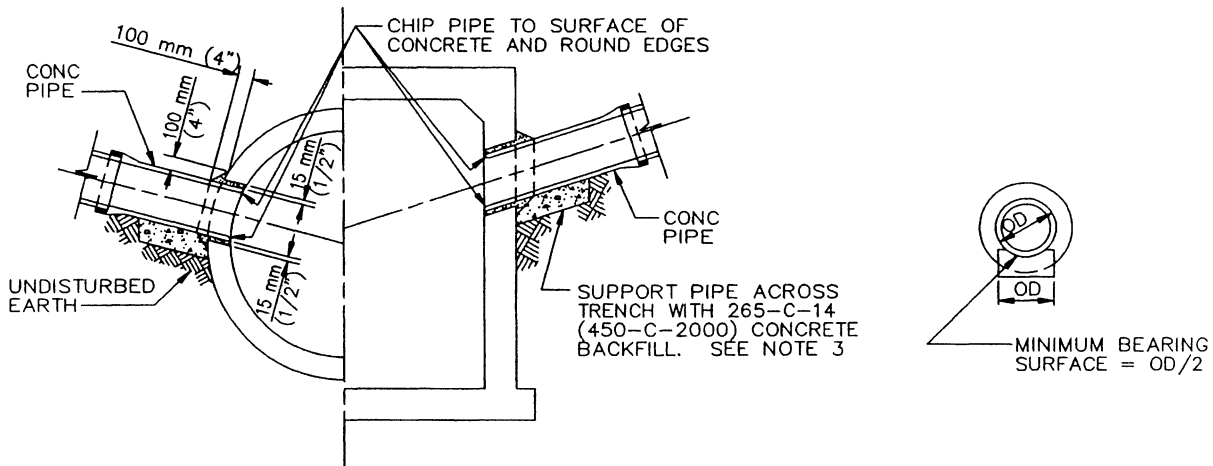


PLAN



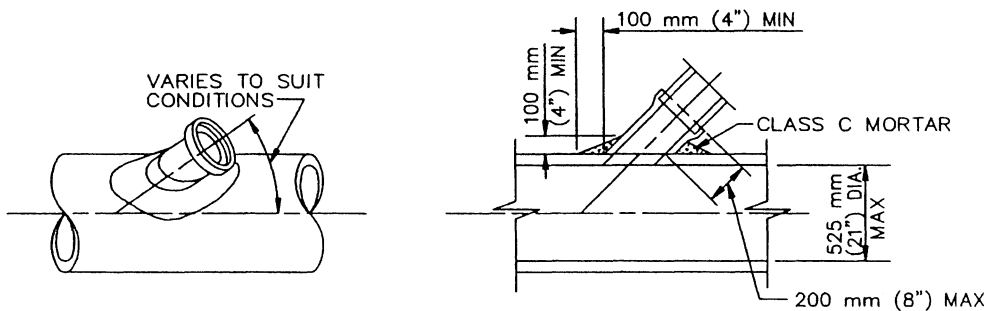
SECTION B - B

SECTION C - C

CASE 1

PLAIN CONCRETE PIPE

D = 600 mm (24") MAX



PLAN

SECTION

CASE 2

SADDLE CONNECTION

STANDARD PLANS FOR PUBLIC WORKS CONSTRUCTION

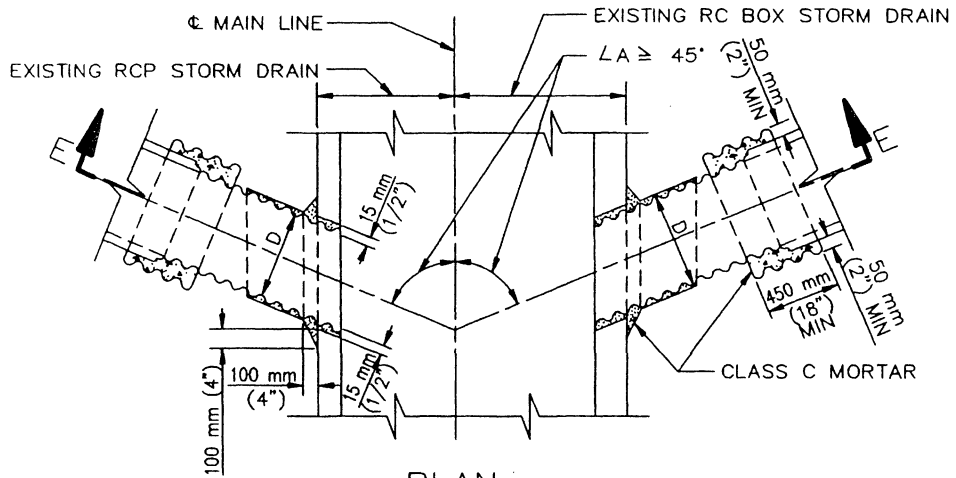
PROMULGATED BY THE  
PUBLIC WORKS STANDARDS INC.  
GREENBOOK COMMITTEE  
1984  
REV. 1996

PIPE CONNECTIONS TO  
EXISTING STORM DRAINS

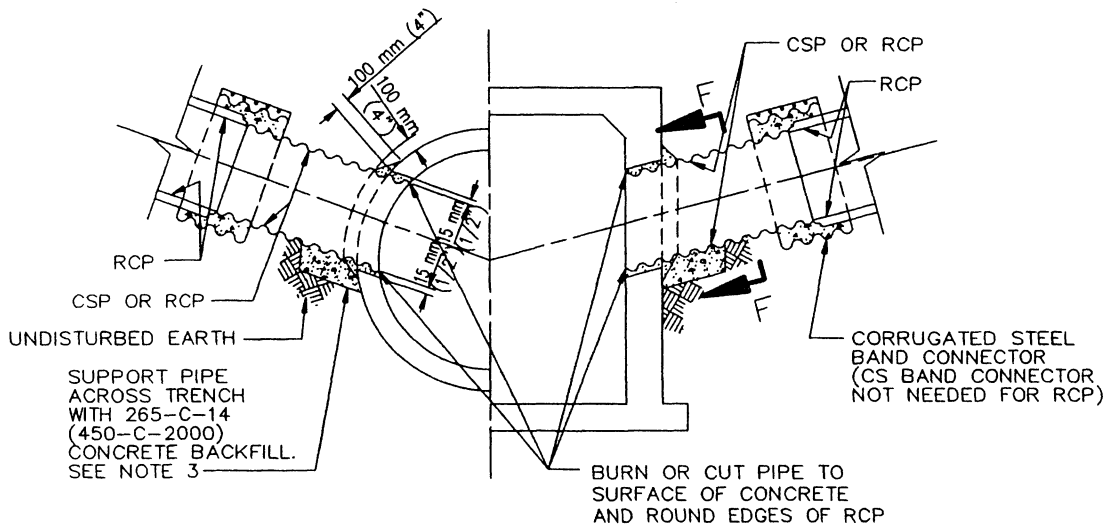
USE WITH STANDARD SPECIFICATIONS FOR PUBLIC WORKS CONSTRUCTION

STANDARD PLAN  
METRIC  
335-1

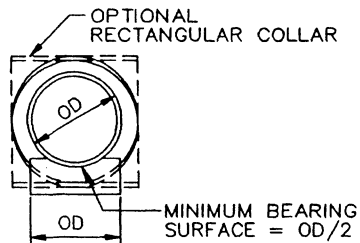
SHEET 1 OF 3



PLAN



SECTION E - E



SECTION F - F

| DIAMETER OF CSP             | MIN GAGE |
|-----------------------------|----------|
| 375 mm (15") - 525 mm (21") | 16       |
| 600 mm (24")                | 14       |

CASE 3  
RCP OR CSP  
D = 600 mm (24") MAX

STANDARD PLANS FOR PUBLIC WORKS CONSTRUCTION

**PIPE CONNECTIONS TO  
 EXISTING STORM DRAINS**

STANDARD PLAN  
 METRIC

**335-1**

SHEET 2 OF 3

NOTES

CASE 1 AND CASE 3

1. OUTSIDE DIAMETER OF THE CONNECTOR PIPE SHALL NOT BE GREATER THAN 1/2 THE INSIDE DIAMETER OF THE RCP MAIN LINE.
2. INSIDE DIAMETER D OF THE CONNECTOR PIPE SHALL NOT BE GREATER THAN 600 mm (24").
3. THE MINIMUM OPENING INTO THE EXISTING STORM DRAIN SHALL BE THE OUTSIDE DIAMETER OF THE CONNECTING PIPE PLUS 30 mm (1"). THE CONCRETE BACKFILL SUPPORTING THE CONNECTING PIPE MAY BE OMITTED IF THE PIPE IS LAID ON UNDISTURBED EARTH TO STORM DRAIN WALL.
4. ALL CSP AND FITTINGS SHALL BE GALVANIZED. BAND CONNECTORS MAY BE 2 GAGES LIGHTER THAN THE PIPE, BUT WITH A MINIMUM GAGE OF 16. THEY SHALL BE CONNECTED AT THE ENDS BY ANGLES HAVING MINIMUM DIMENSIONS OF 50 mm x 50 mm x 5 mm (2"x2"x3/16") AND 140 mm (5 1/2") BOLTS.
5. WHEN JOINING A RCP CONNECTOR PIPE TO A CSP CONNECTOR PIPE, THE INSIDE DIAMETER D OF THE CSP SHALL BE AT LEAST EQUAL TO BUT NOT MORE THAN 75 mm (3") GREATER THAN THAT OF THE RCP.
6. CONNECTOR PIPES SHALL BE NOT MORE THAN 1.5 m (5') ABOVE THE INVERT.
7. CONNECTOR PIPES SHALL ENTER MAIN LINE RCP RADially.
8. WHEN CONNECTING TO A RCB, SPPWC 333 SHALL BE USED IF THE TOP OF THE CONNECTOR PIPE IS LESS THAN 300 mm (12") BELOW THE SOFFIT OF THE RCB OR THE FLOW LINE OF THE PIPE IS LESS THAN 330 mm (13") ABOVE THE FLOOR OF THE RCB AT THE INSIDE FACE.

CASE 2

9. SADDLE CONNECTIONS SHALL BE USED WHEN CONNECTING TO PIPES 525 mm (21") OR LESS IN DIAMETER WITHOUT THE USE OF JUNCTION STRUCTURES OR PRECAST Y BRANCHES.
10. TRIM OR CUT SADDLE TO FIT SNUGLY OVER THE OUTSIDE OF THE MAIN PIPE SO ITS AXIS WILL BE ON THE LINE AND GRADE OF THE CONNECTING PIPE.
11. THE OPENING INTO THE PIPE SHALL BE CUT AND TRIMMED TO FIT THE SADDLE SO THAT NO PART WILL PROJECT WITHIN THE BORE OF THE SADDLE PIPE.
12. THE CONNECTOR PIPE SHALL BE SUPPORTED AS SHOWN IN CASE 1 AND CASE 3.

STANDARD PLANS FOR PUBLIC WORKS CONSTRUCTION

**PIPE CONNECTIONS TO  
EXISTING STORM DRAINS**

STANDARD PLAN  
METRIC

**335-1**

SHEET 3 OF 3