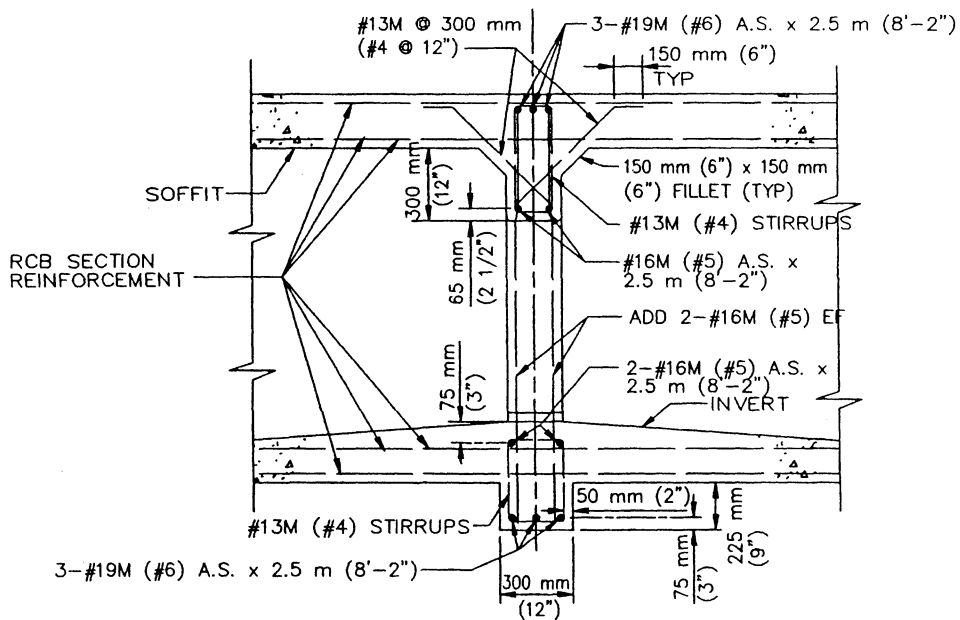


ELEVATION



SECTION A-A

STANDARD PLANS FOR PUBLIC WORKS CONSTRUCTION

PROMULGATED BY THE
PUBLIC WORKS STANDARDS INC.
GREENBOOK COMMITTEE
1984
REV. 1996

WINDOW DETAILS FOR
MULTIPLE RCB STRUCTURES

USE WITH STANDARD SPECIFICATIONS FOR PUBLIC WORKS CONSTRUCTION

STANDARD PLAN
METRIC
382-1

SHEET 1 OF 2

NOTES

1. THIS STRUCTURE MAY BE USED WHERE:
 - a. DEPTH OF COVER DOES NOT EXCEED 3.0 m (10').
 - b. CLEAR SPAN OF ONE BARREL DOES NOT EXCEED 3.6 m (12').
WHEN THESE LIMITS ARE EXCEEDED, WINDOW OPENING DETAILS SHALL BE AS SHOWN ON PLANS.
2. LONGITUDINAL BARS SHALL BE CUT IN THE FIELD 50 mm (2") FROM OPENING.
3. ROUND ALL EDGES TO 50 mm (2") RADIUS.
4. NO TRANSVERSE CONSTRUCTION JOINT SHALL BE PLACED WITHIN 1.5 m (5'-0") OF WINDOW.

STANDARD PLANS FOR PUBLIC WORKS CONSTRUCTION

**WINDOW DETAILS FOR
MULTIPLE RCB STRUCTURES**

STANDARD PLAN
METRIC

382-1

SHEET 2 OF 2