

NOTES:

1. AREA AROUND BOX MAY BE PLANTED, HARD SURFACE, OR A COMBINATION OF BOTH.
2. TOP OF BOX:  
AT GRADE FOR HARD SURFACE  
12 mm (1/2") ABOVE GRADE FOR LAWN  
25 mm (1") ABOVE GRADE FOR GROUND COVER OR SHRUBS
3. CRUSHED ROCK SHALL COVER ELECTRICAL BOX SIDE OPENINGS TO PREVENT SOIL ENTRY.
4. WATERPROOF CONNECTORS SHALL BE SUBJECT TO ENGINEER'S APPROVAL.

STANDARD PLANS FOR PUBLIC WORKS CONSTRUCTION

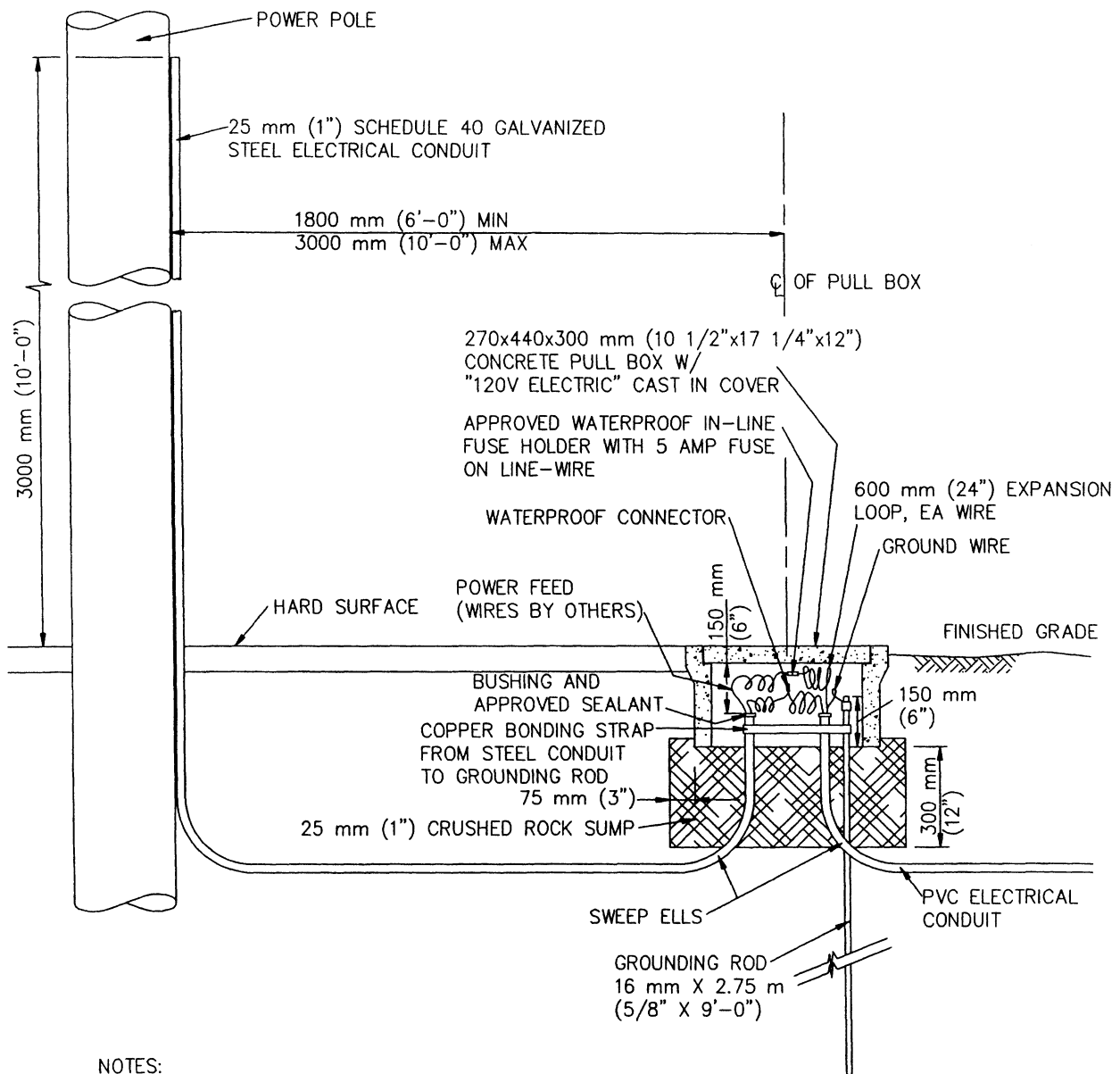
PROMULGATED BY THE  
PUBLIC WORKS STANDARDS INC.  
GREENBOOK COMMITTEE  
1984  
REV. 1996, 2005

**ELECTRICAL SERVICE**

STANDARD PLAN  
METRIC  
**501-2**

USE WITH STANDARD SPECIFICATIONS FOR PUBLIC WORKS CONSTRUCTION

SHEET 1 OF 3



NOTES:

1. AREA AROUND BOX MAY BE PLANTED, HARD SURFACE, OR A COMBINATION OF BOTH.
2. TOP OF BOX:  
AT GRADE FOR HARD SURFACE  
12 mm (1/2") ABOVE GRADE FOR LAWN  
25 mm (1") ABOVE GRADE FOR GROUND COVER OR SHRUBS
3. CRUSHED ROCK SHALL COVER ELECTRICAL BOX SIDE OPENINGS TO PREVENT SOIL ENTRY.
4. WATERPROOF CONNECTORS SHALL BE SUBJECT TO APPROVAL BY THE ENGINEER.
5. GROUND WIRE SHALL BE CONTINUOUS No. 10 COPPER, WRAPPED AROUND AND BONDED TO GROUNDING ROD WITH AN APPROVED CLAMP.
6. GROUNDING ROD SHALL BE COPPER-CLAD STEEL.

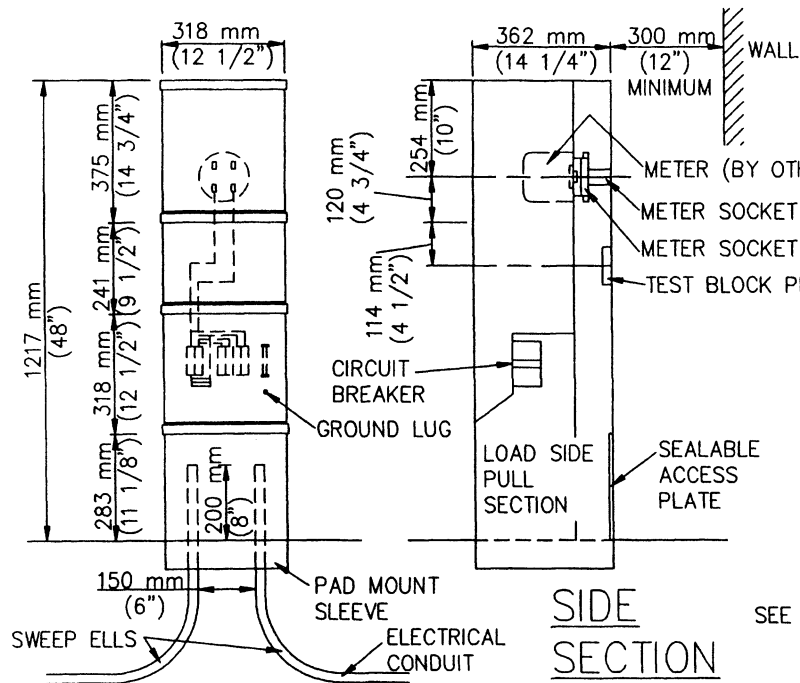
STANDARD PLANS FOR PUBLIC WORKS CONSTRUCTION

**ELECTRICAL SERVICE**

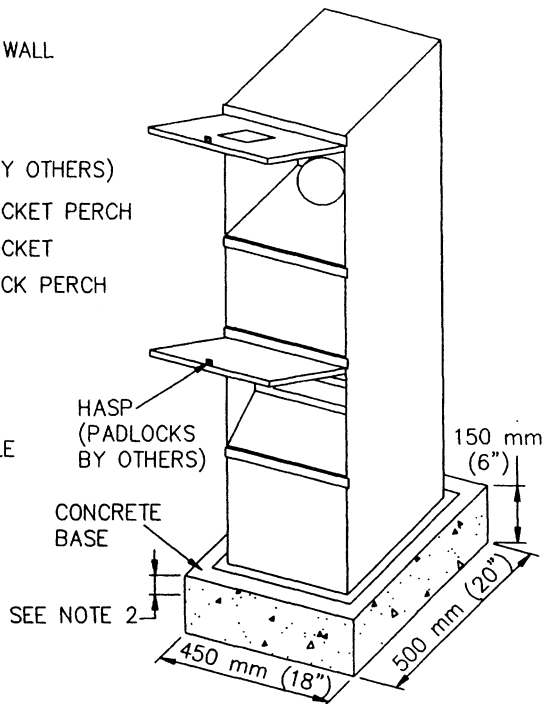
STANDARD PLAN  
METRIC

**501-2**

SHEET 2 OF 3



SIDE SECTION



OBLIQUE VIEW

FRONT ELEVATION

NOTES:

1. AREA AROUND BOX MAY BE PLANTED, HARD SURFACE, OR A COMBINATION OF BOTH.
2. TOP OF CONCRETE BASE:  
 AT GRADE FOR HARD SURFACE  
 12 mm (1/2") ABOVE GRADE FOR LAWN  
 25 mm (1") ABOVE GRADE FOR GROUND COVER OR SHRUBS
3. CONCRETE BASE SHALL BE CLASS 265-C-14 (450-C-2000)
4. CONTRACTOR SHALL FILL PAD MOUNT WITH 25 mm (1") CRUSHED ROCK 300 mm (12") DEEP.
5. MATERIAL (UNLESS OTHERWISE NOTED):  
 BODY - 2.75 mm (12 GAGE) GALVANIZED STEEL. DEAD FRONT AND COVERS -  
 1.61 mm (16 GAGE) GALVANIZED STEEL. FINISH - IRON PHOSPHATE DIP,  
 ZINC CHROMATE PRIME, GREEN BAKED ENAMEL SURFACE.
6. CABINET SHALL INCLUDE 2 POLE MAIN CIRCUIT BREAKER, 100 A.

STANDARD PLANS FOR PUBLIC WORKS CONSTRUCTION

**ELECTRICAL SERVICE**

STANDARD PLAN  
METRIC

**501-2**

SHEET 3 OF 3