

## PEDESTAL MOUNT - TYPE A

### NOTES:

1. AREA AROUND BOX MAY BE PLANTED, HARD SURFACE, OR A COMBINATION OF BOTH.
2. TOP OF BASE:  
 AT GRADE FOR HARD SURFACE  
 15 mm (1/2") ABOVE GRADE FOR LAWN  
 25 mm (1") ABOVE GRADE FOR GROUND COVER OR SHRUBS

SYMBOL ON PLAN



STANDARD PLANS FOR PUBLIC WORKS CONSTRUCTION

PROMULGATED BY THE  
PUBLIC WORKS STANDARDS INC.  
GREENBOOK COMMITTEE  
1984  
REV. 1996, 2005

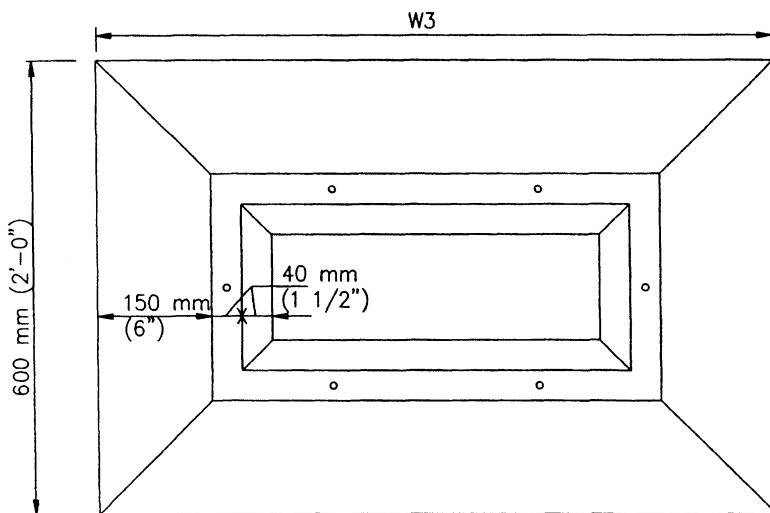
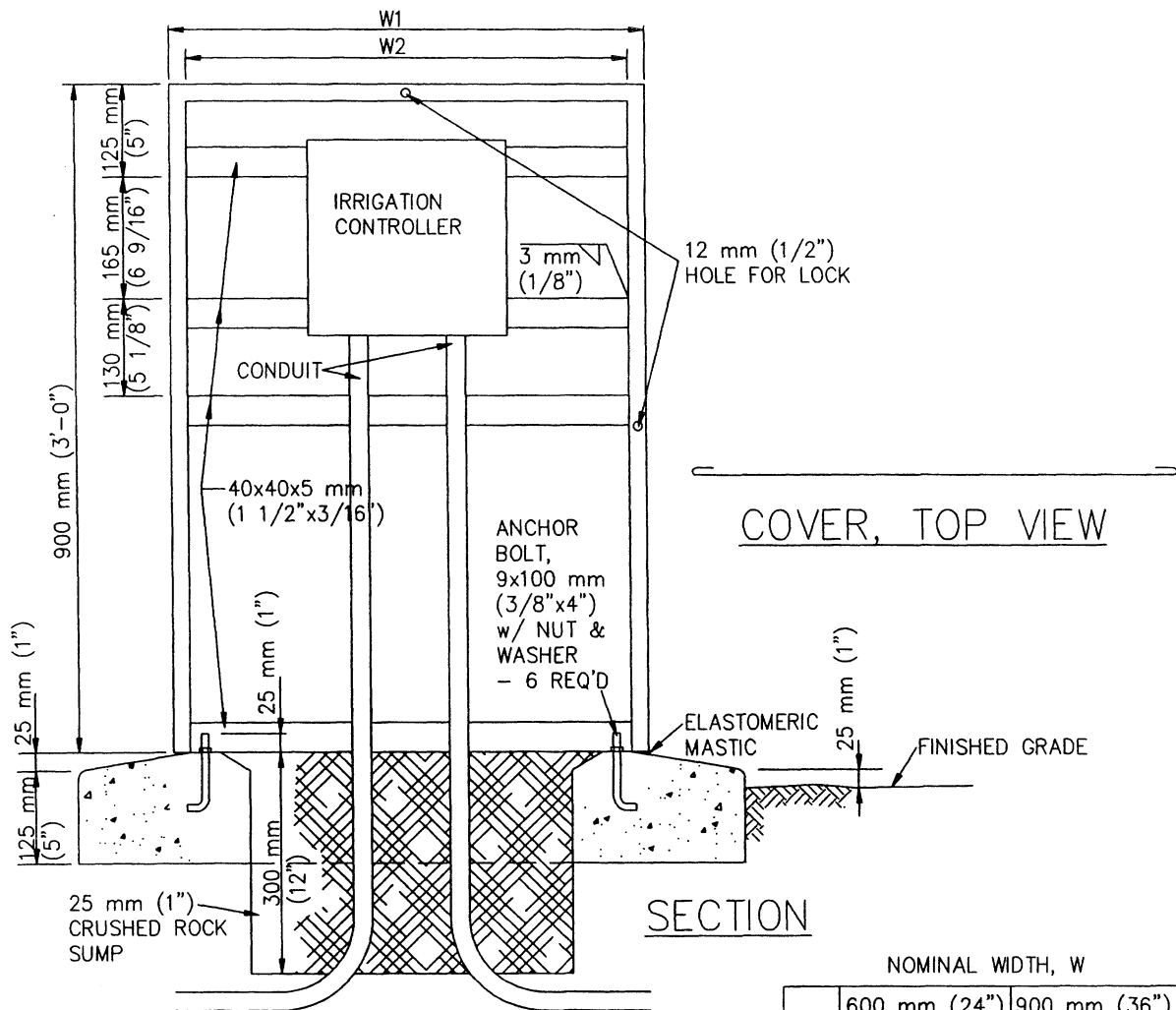
**IRRIGATION CONTROLLER ENCLOSURE**

USE WITH STANDARD SPECIFICATIONS FOR PUBLIC WORKS CONSTRUCTION

STANDARD PLAN  
METRIC

**514-2**

SHEET 1 OF 4



PLAN OF CONCRETE BASE

PEDESTAL MOUNT - TYPE B

NOMINAL WIDTH, W

	600 mm (24")	900 mm (36")
W1	630 mm (2'-7/8")	935 mm (3'-7/8")
W2	585 mm (1'-11")	890 mm (2'-11")
W3	890 mm (2'-11")	1190 mm (3'-11")

NOTES:

1. CONCRETE SHALL BE CLASS 265-C-14 (450-C-2000).
2. UNLESS OTHERWISE NOTED, ENCLOSURE SHALL BE 5 mm (3/16") PLATE STEEL. PAINT ENCLOSURE WITH TWO COATS OF RUST INHIBITING PAINT (COLOR WILL BE SELECTED BY ENGINEER).

SYMBOL ON PLAN



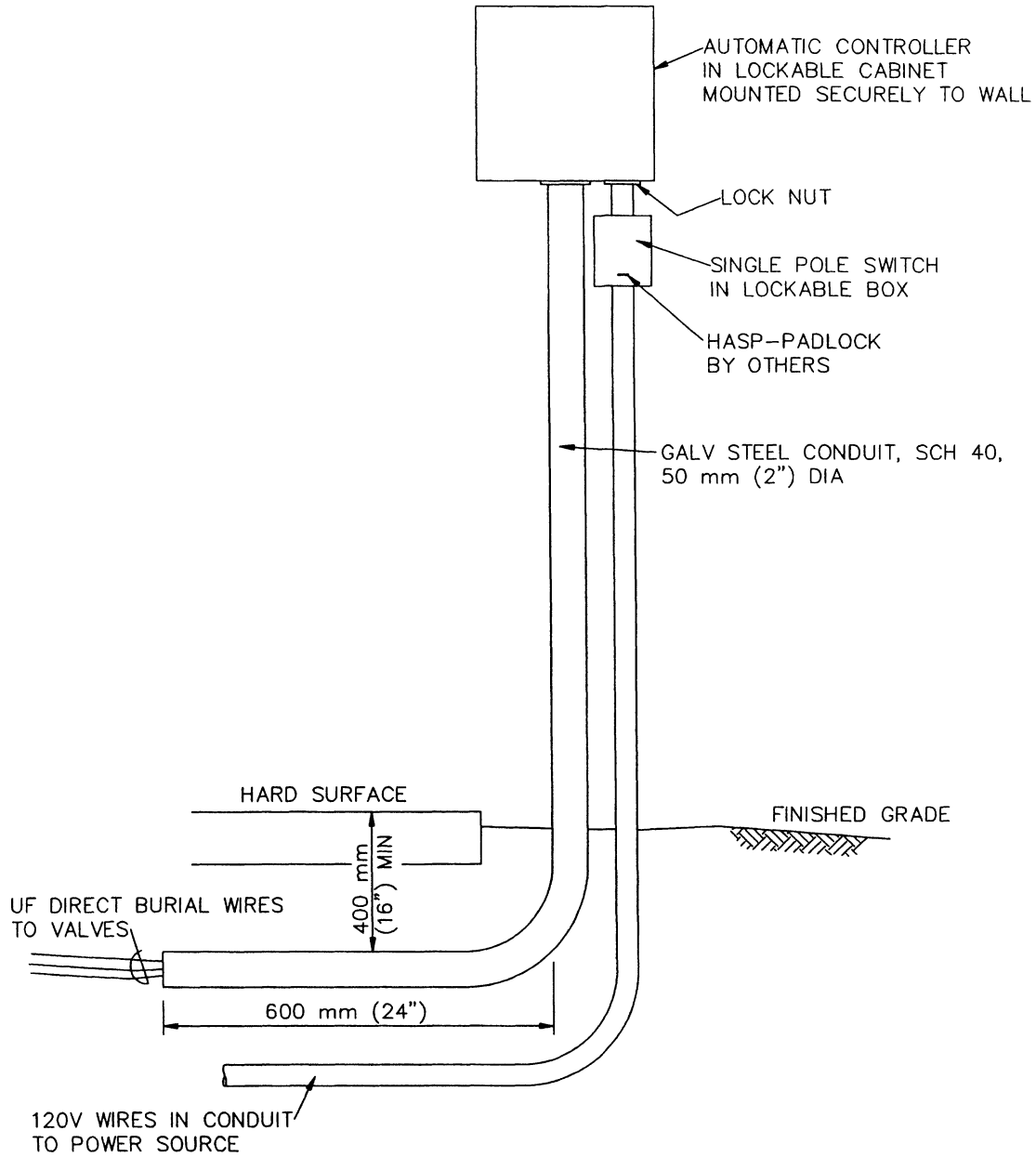
STANDARD PLANS FOR PUBLIC WORKS CONSTRUCTION

IRRIGATION CONTROLLER ENCLOSURE

STANDARD PLAN METRIC

514-2

SHEET 2 OF 4



WALL MOUNT - TYPE C

SYMBOL ON PLAN



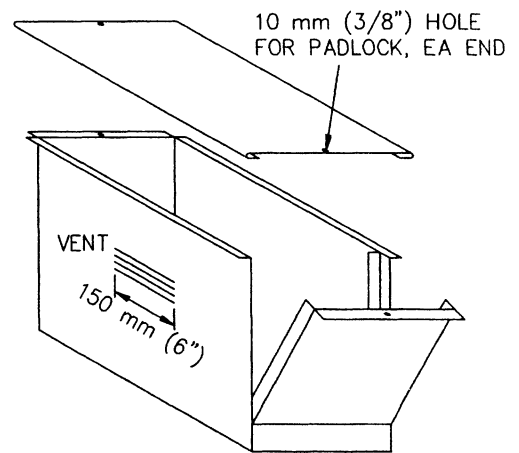
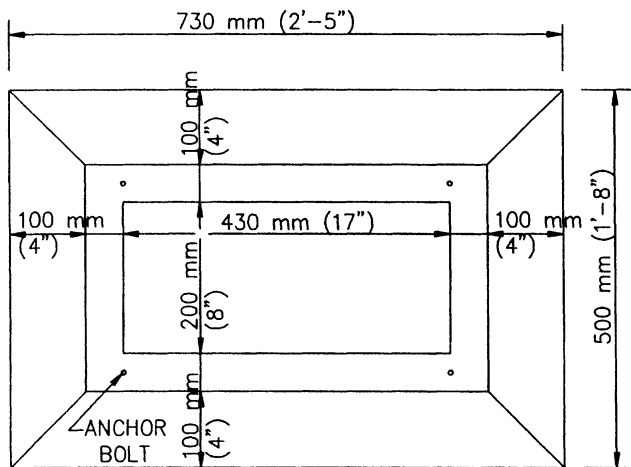
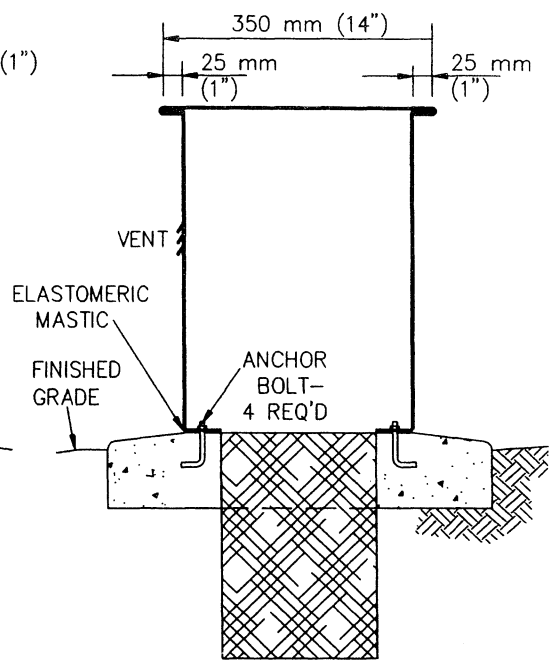
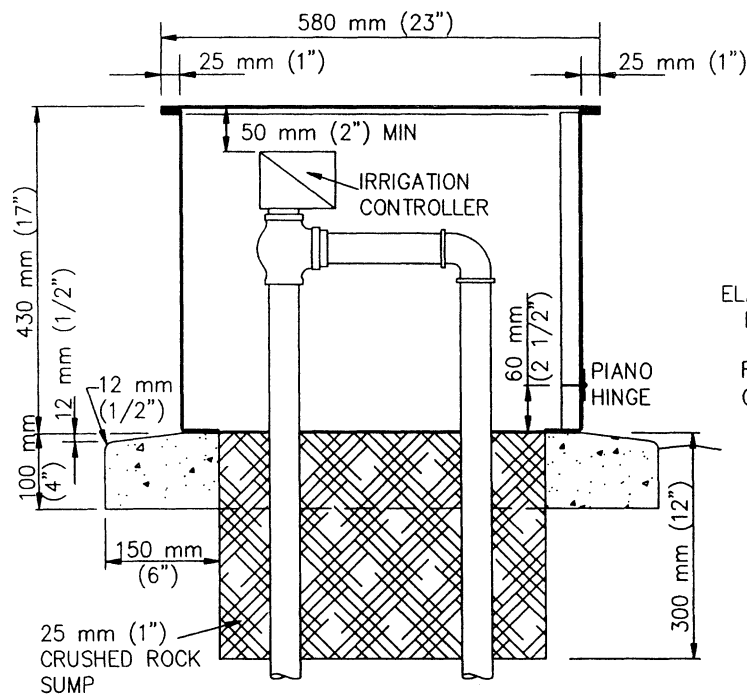
STANDARD PLANS FOR PUBLIC WORKS CONSTRUCTION

STANDARD PLAN  
METRIC

**IRRIGATION CONTROLLER ENCLOSURE**

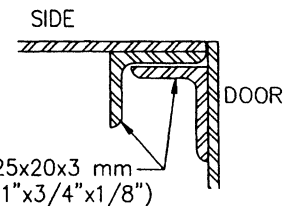
**514-2**

SHEET 3 OF 4



NOTES:

1. CONCRETE SHALL BE CLASS 265-C-14 (450-C-2000).
2. UNLESS OTHERWISE NOTED, ENCLOSURE SHALL BE 2.75 mm (12 GAGE) STEEL. PAINT ENCLOSURE WITH TWO COATS OF RUST INHIBITING PAINT (COLOR WILL BE SELECTED BY ENGINEER).



TYPE D

SYMBOL ON PLAN



STANDARD PLANS FOR PUBLIC WORKS CONSTRUCTION

STANDARD PLAN METRIC

**IRRIGATION CONTROLLER ENCLOSURE**

**514-2**

SHEET 4 OF 4