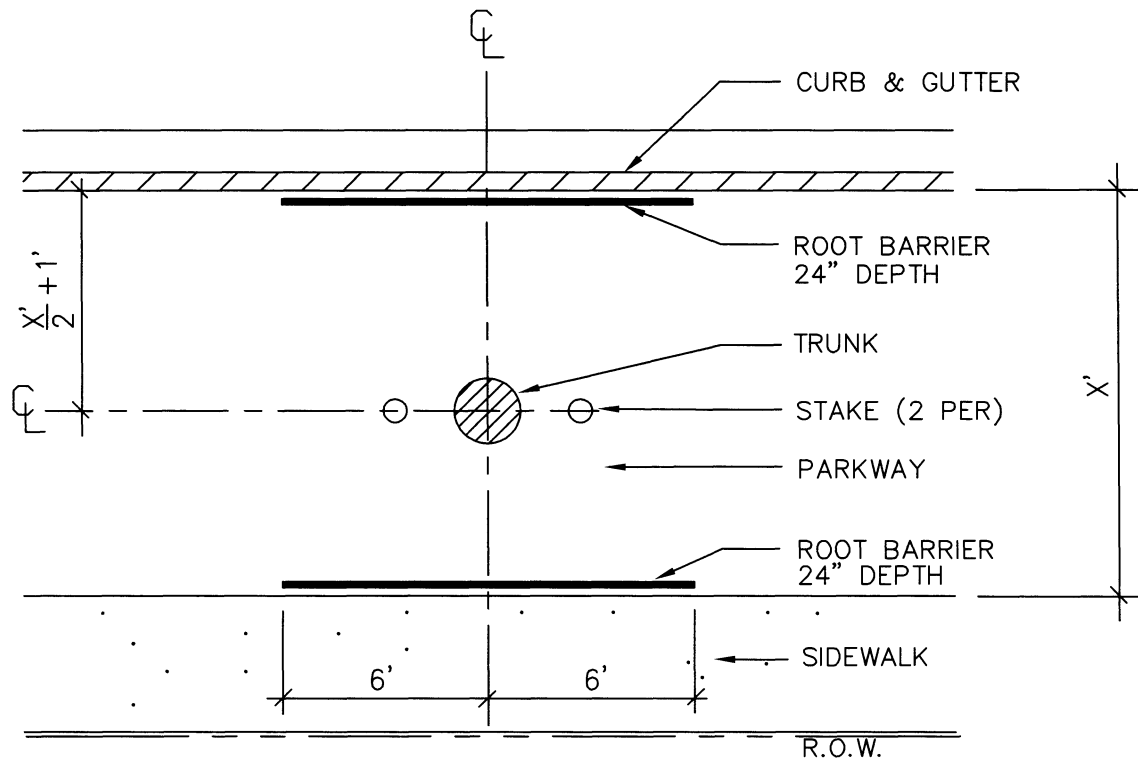


PLAN
NO SCALE

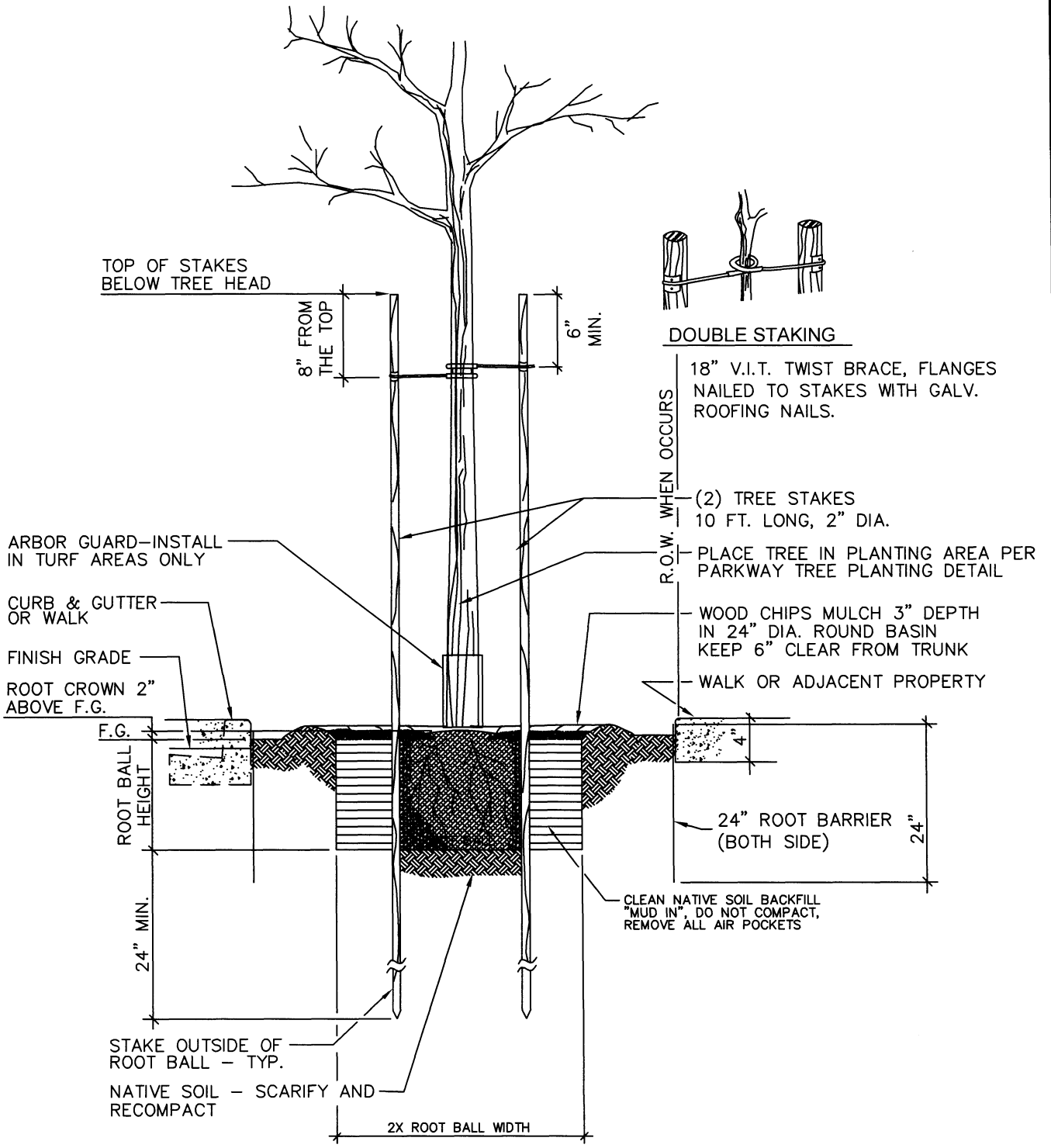
CASE 1



PLAN
NO SCALE

CASE 2

REC'D <i>Patricia Lopez</i>	<i>6-30-06</i>	APP. <i>[Signature]</i>	<i>7-28-06</i>	A	06/30/06	
DEPUTY CITY ENGINEER	DATE	D.F.W. / CITY ENGINEER	DATE		REVISED	BY
CITY OF ANAHEIM DEPARTMENT OF PUBLIC WORKS						
PARKWAY TREE PLANTING					STANDARD DETAIL NO. 520-A	
USE WITH STANDARD SPECIFICATIONS FOR PUBLIC WORKS CONSTRUCTION					SHEET 1 OF 2	



NOTE:
ALL NEW TREES SHALL BE IRRIGATED.

REC'D <i>Satchu</i>	<i>6-30-06</i>	APP. <i>[Signature]</i>	<i>7-28-06</i>	A	06/30/06	
DEPUTY CITY ENGINEER	DATE	CITY ENGINEER	DATE	REVISED	BY	
CITY OF ANAHEIM DEPARTMENT OF PUBLIC WORKS						
PARKWAY TREE PLANTING WITH DOUBLE STAKING					STANDARD DETAIL NO. 520-A	
USE WITH STANDARD SPECIFICATIONS FOR PUBLIC WORKS CONSTRUCTION					SHEET 2 OF 2	