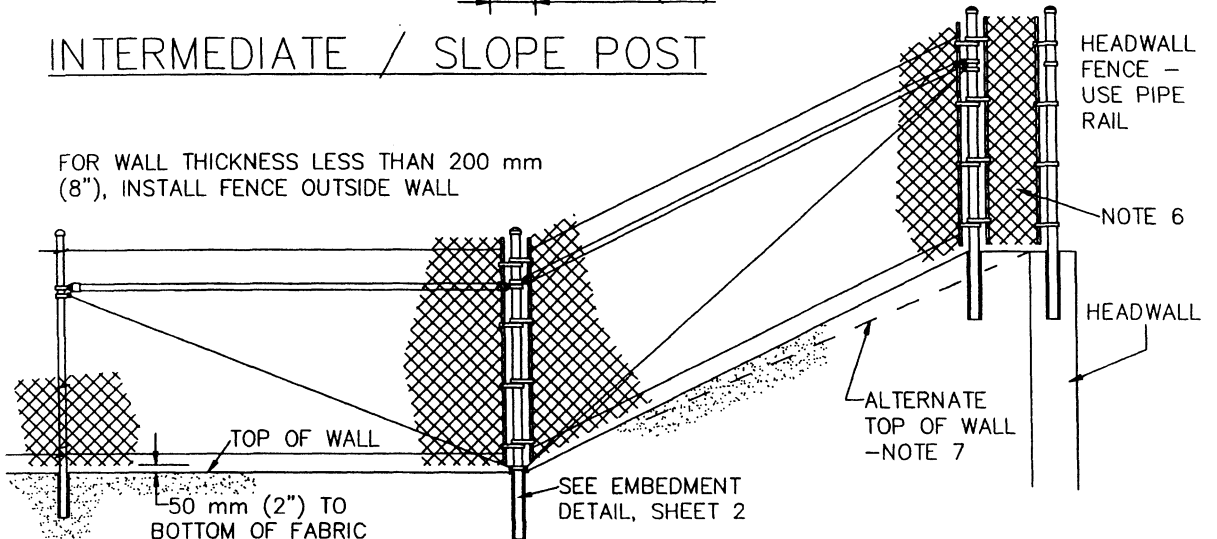


INTERMEDIATE / SLOPE POST

FOR WALL THICKNESS LESS THAN 200 mm (8"), INSTALL FENCE OUTSIDE WALL

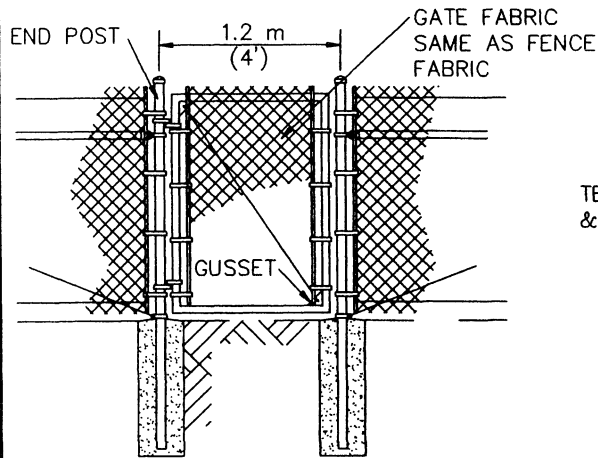
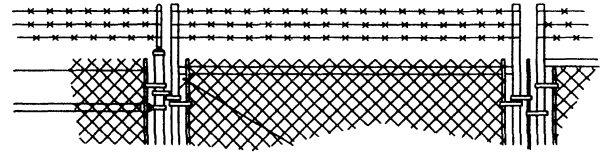
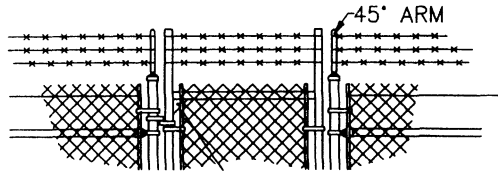


CHANNEL WALL AND WINGWALL AT HEADWALL

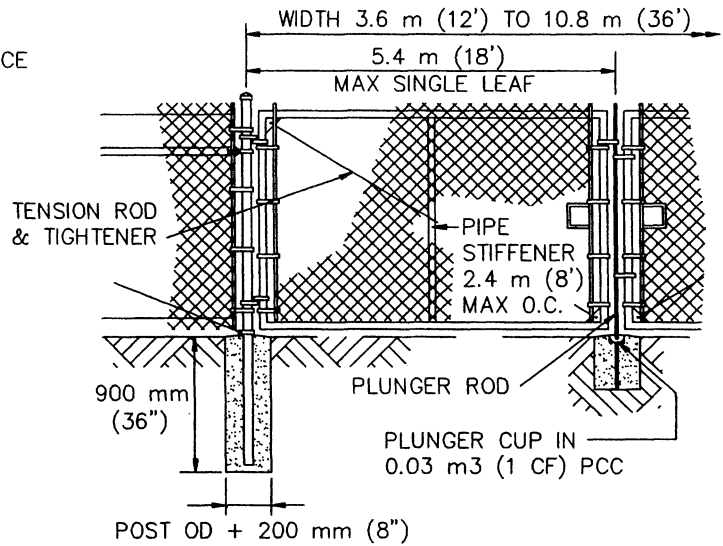
STANDARD PLANS FOR PUBLIC WORKS CONSTRUCTION

PROMULGATED BY THE PUBLIC WORKS STANDARDS INC. GREENBOOK COMMITTEE 1984 REV. 1996, 2005	<h2 style="margin: 0;">CHAIN LINK FENCE AND GATES</h2> <p style="margin: 0;">USE WITH STANDARD SPECIFICATIONS FOR PUBLIC WORKS CONSTRUCTION</p>	STANDARD PLAN METRIC <h2 style="margin: 0;">600-2</h2> <p style="margin: 0;">SHEET 1 OF 3</p>
---	---	---

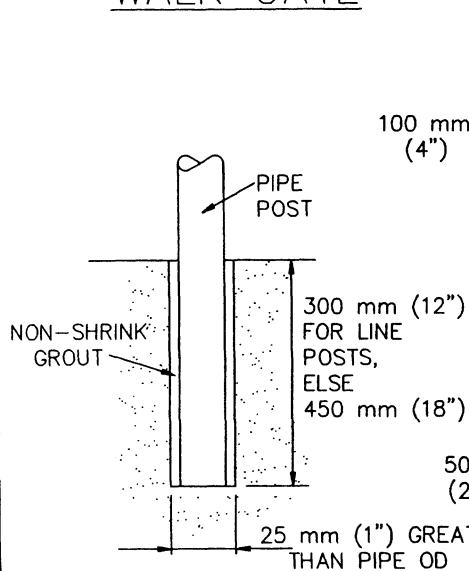
BARBED WIRE - NOTE 4



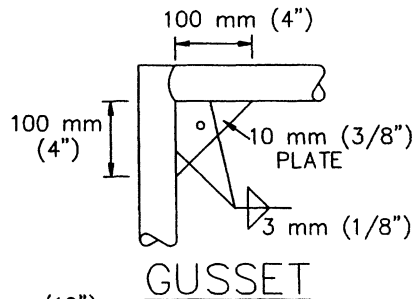
WALK GATE



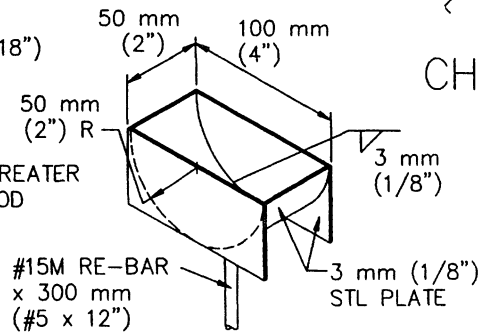
DRIVE GATE



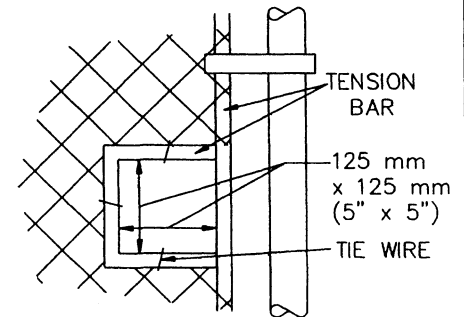
POST EMBEDMENT



GUSSET



PLUNGER CUP ISOMETRIC



CHAIN AND LOCK CUT-OUT

STANDARD PLANS FOR PUBLIC WORKS CONSTRUCTION

CHAIN LINK FENCE AND GATES

STANDARD PLAN METRIC

600-2

SHEET 2 OF 3

NOTES:

1. SECURE DRIVE-FIT GALVANIZED CAP TO POST WITH 6 mm (1/4") ROUND-HEAD RIVET.
2. H DENOTES FABRIC WIDTH AND NOMINAL FENCE HEIGHT. H = 1.5 m (5') UNLESS OTHERWISE NOTED.
3. IF FENCE WITH TOP RAIL IS SPECIFIED, DELETE STEEL TENSION WIRE AT TOP, AND PIPE RAILS AT INTERMEDIATE, SLOPE, END AND CORNER POSTS. EXTEND TENSION ROD TO TOP RAIL.
4. BARBED WIRE SHALL BE USED ONLY WHEN SPECIFIED.
5. POST SPACING IS MAXIMUM 3.0 m (10').
6. FILL CLEAR OPENINGS GREATER THAN 75 mm (3") WITH FABRIC. FOR OPENINGS LESS THAN 450 mm (18"), TIE FABRIC TO POSTS.
7. USE ONE POST FOR COMBINED SLOPE AND CORNER POST IF TOP OF CHANNEL WALL IS CONSTRUCTED AS SHOWN FOR "ALTERNATE".
8. STEEL BANDS AT TENSION BARS SHALL BE 3 mm X 25 mm (1/8" x 1"), MINIMUM, SPACED AT MAXIMUM 400 mm (16").
9. SECURE TENSION WIRES TO EACH LINE POST WITH TIE WIRES.

STANDARD PLANS FOR PUBLIC WORKS CONSTRUCTION

CHAIN LINK FENCE AND GATES

STANDARD PLAN
METRIC

600-2

SHEET 3 OF 3