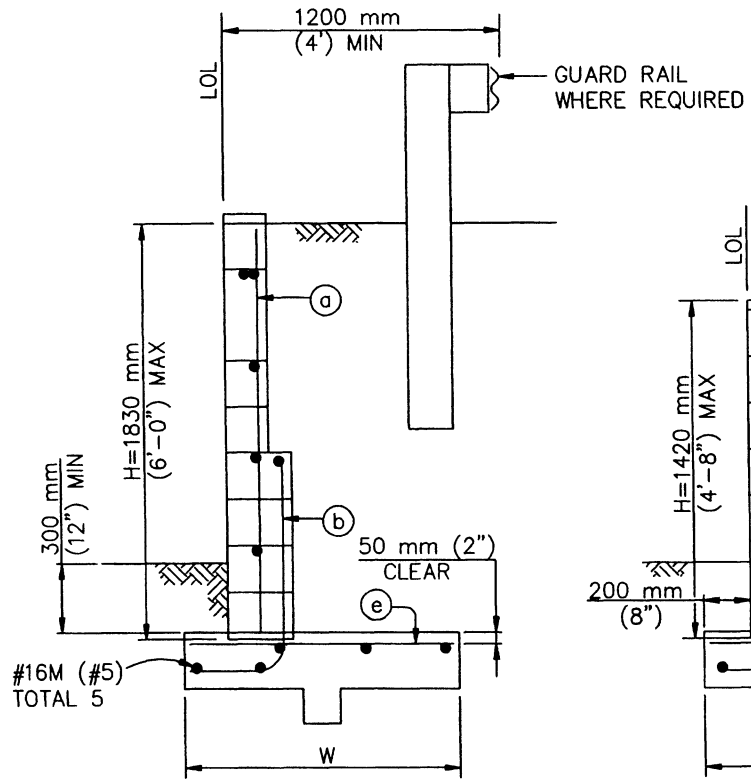
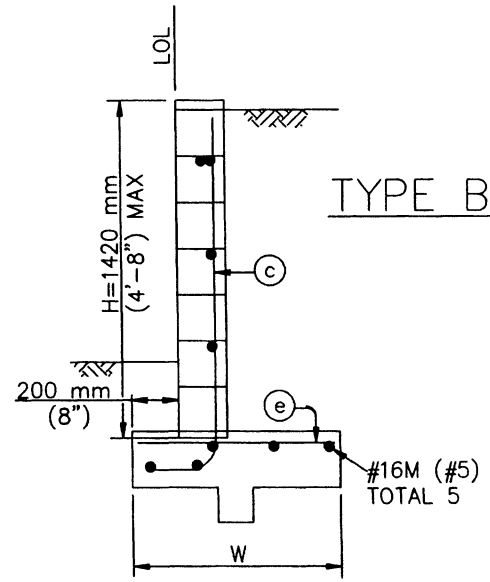


TYPE A



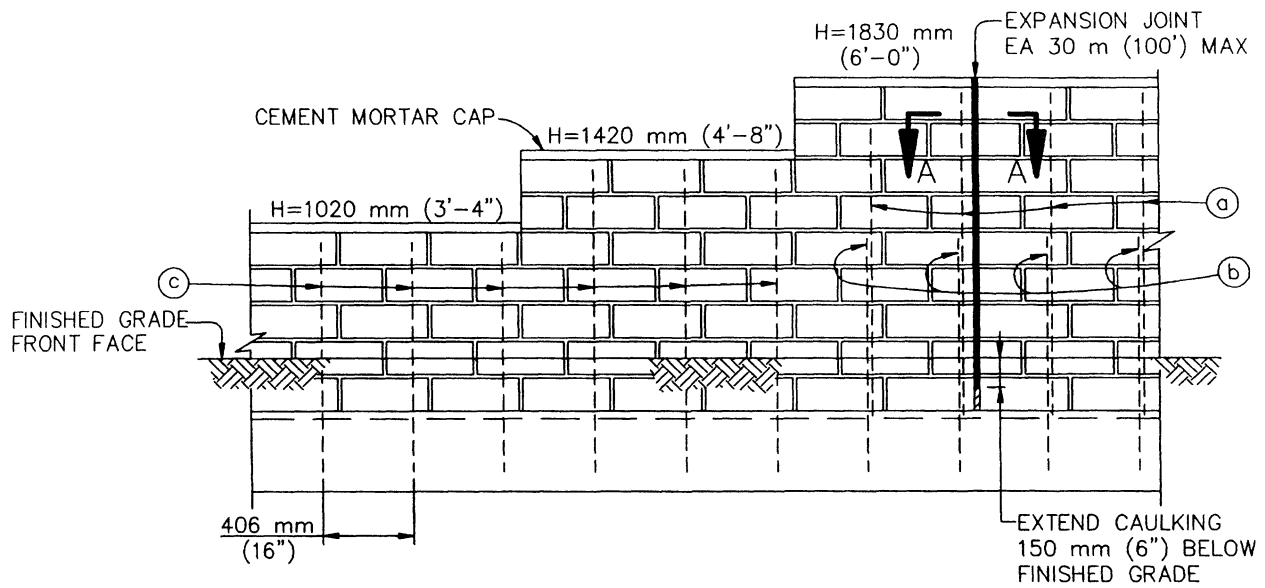
NO SPLICES ALLOWED IN (a), (b), OR (c) BARS



TYPE B

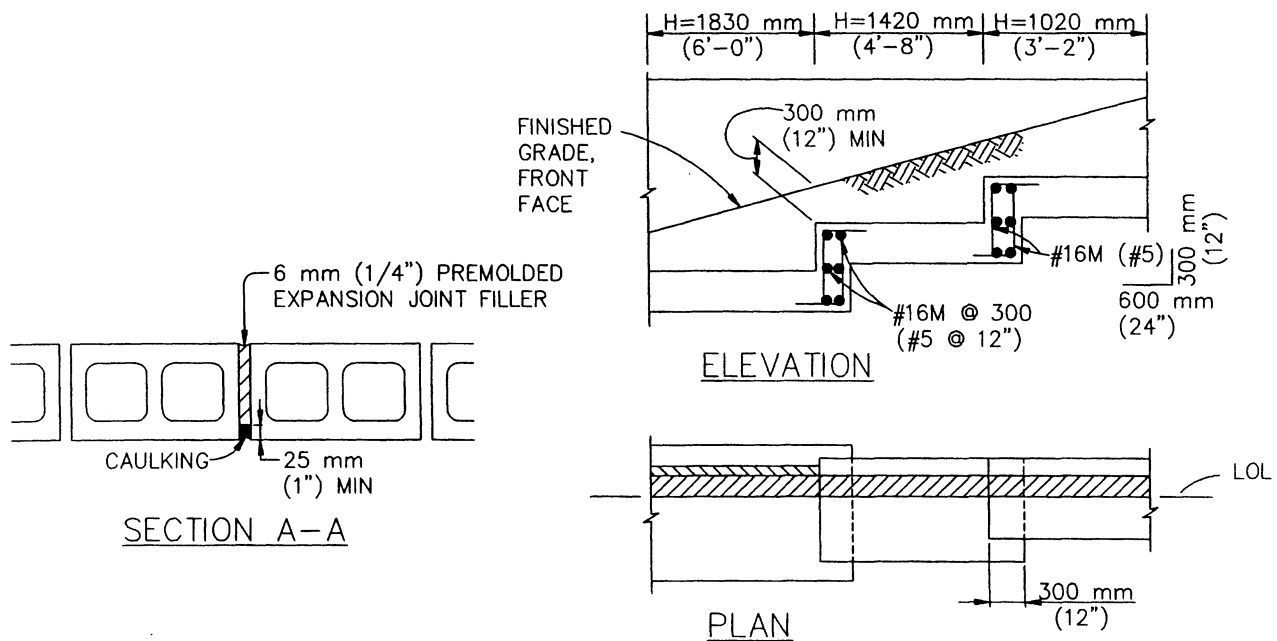
SIMILAR TO CALTRANS TYPE 6

STANDARD PLANS FOR PUBLIC WORKS CONSTRUCTION		
PROMULGATED BY THE PUBLIC WORKS STANDARDS INC. GREENBOOK COMMITTEE 1993 REV. 1996, 2005	<h2 style="margin: 0;">MASONRY RETAINING WALL</h2>	STANDARD PLAN METRIC <h1 style="margin: 0;">618-2</h1>
USE WITH STANDARD SPECIFICATIONS FOR PUBLIC WORKS CONSTRUCTION		
		SHEET 1 OF 3



OMIT MORTAR FROM VERTICAL JOINT IN FIRST COURSE ABOVE FINISHED GRADE AT 813 mm (2'-8") CENTERS FOR WEEP HOLES. FILL ALL CELLS WITH GROUT.

### ELEVATION



### FOOTING STEP DETAILS

TYPE A WALL

DESIGN H	1020 (3'-4")	1220 (4'-0")	1420 (4'-8")	1630 (5'-4")	1830 (6'-0")
W	1000 mm (3'-2")	1100 (3'-6")	1200 (3'-10")	1300 (4'-2")	1400 (4'-6")
Ⓐ BARS	————	————	————	#16M @ 406 (#5 @ 16")	#16M @ 406 (#5 @ 16")
Ⓑ BARS	————	————	————	#16M @ 406 (#5 @ 16")	#16M @ 406 (#5 @ 16")
Ⓒ BARS	#16M @ 406 (#5 @ 16")	#16M @ 406 (#5 @ 16")	#16M @ 406 (#5 @ 16")	————	————

TYPE B WALL

DESIGN H	1020 mm (3'-4")	1220 (4'-0")	1420 (4'-8")	1630 (5'-4")	1830 (6'-0")
W	850 (2'-8")	950 (3'-0")	1050 (3'-4")	1150 (3'-8")	1250 (4'-0")
Ⓐ BARS	————	————	————	#16M @ 375 (#5 @ 15")	#16M @ 375 (#5 @ 15")
Ⓑ BARS	————	————	————	#16M @ 375 (#5 @ 15")	#16M @ 375 (#5 @ 15")
Ⓒ BARS	#16M @ 375 (#5 @ 15")	#16M @ 375 (#5 @ 15")	#16M @ 375 (#5 @ 15")	————	————
Ⓔ BARS	#16M @ 375 (#5 @ 15")	#16M @ 375 (#5 @ 15")	#16M @ 375 (#5 @ 15")	#16M @ 375 (#5 @ 15")	#16M @ 300 (#5 @ 12")

DESIGN DATA (SEE SPPWC 617 FOR PCC, STEEL, AND OTHER SOIL DATA)

$$f_m = 3.5 \text{ MPa (500 psi)} \quad f'_m = 10.5 \text{ MPa (1500 psi)}$$

REQUIRED SOIL BEARING CAPACITY 95 kPa (2000 psf)

NOTES:

1. SEE SPPWC 617 FOR STANDARD WALL DETAILS.
2. METRIC REINFORCING BAR SPACING IS IN MILLIMETERS.

STANDARD PLANS FOR PUBLIC WORKS CONSTRUCTION

**MASONRY RETAINING WALL**

STANDARD PLAN  
METRIC

**618-2**

SHEET 3 OF 3